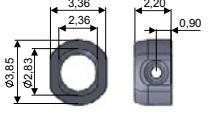
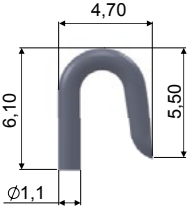
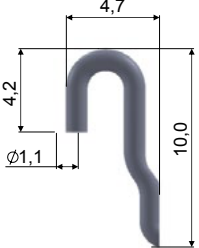
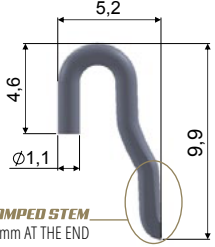
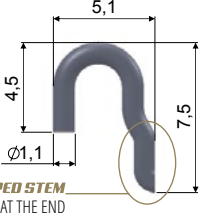
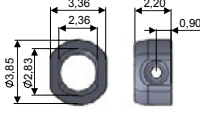
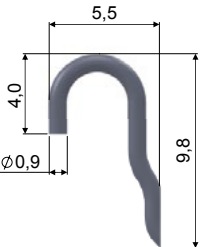
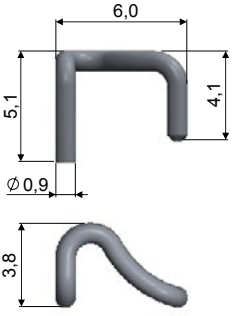
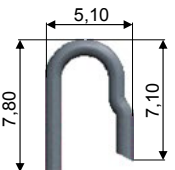


SYNOPTIC INDEX PAD ARMS ERGOFEEL® SYSTEM

			ERGOFEEL® System	
MATERIAL	STEM IMAGE	STEM CODE (STEM SHAPE)		
NICKEL SILVER 18% Ni MATERIAL		OA7428 (207)	03PDC4463A1BY0 (page 34)	
		OA7578 (214)	03PDB1268A1BY0 (page 34)	
		ROA0121 (214)	03PDC4462A1BY0 (page 34)	
		ROA0011 (214)	03PDC4461A1BY0 (page 34)	

MATERIAL	STEM IMAGE	STEM CODE (STEM SHAPE)	
MONEL MATERIAL		OA7570 (214)	18PDC4465A1BY0 <small>(page 35)</small>
		B1269 (310)	18PDB1270A1BY0 <small>(page 35)</small>
		C8933 (214)	18PDC8937A1BY0 <small>(page 39)</small>