

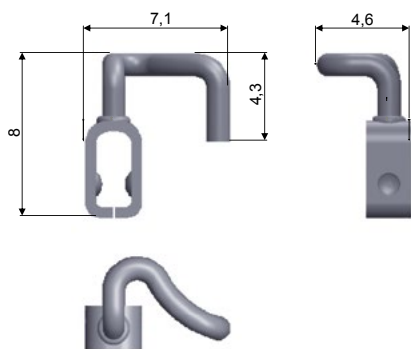
### PAD ARM

<b>SCREW SYSTEM</b>	31PD90584000
---------------------	--------------

Stem code: OA7579  
 Stem shape: 214  
 Stem  $\varnothing$  1.10  
 Stem alloy Titanium

### MINIBOX

Minibox alloy Titanium  
 Slanted minibox 10°



### PAD ARM

<b>SCREW SYSTEM</b>	31PDB0794A1BY0
---------------------	----------------

Stem code: B0793  
 Stem shape: 310  
 Stem  $\varnothing$  1.10  
 Stem alloy Titanium

### NORMAL BOX

Box alloy Titanium