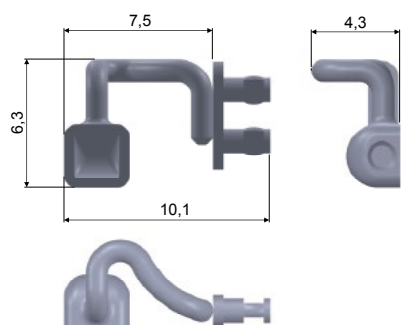


NICKEL SILVER 18% Ni MATERIAL for plastic frames



PAD ARM

SCREW SYSTEM	03PD90900000
---------------------	--------------

Stem code: OA7380
Stem shape: 310
Stem \varnothing 1.10
Stem alloy Nickel Silver 18% Ni · CuNi18Zn20

NORMAL BOX
Box alloy Nickel Silver 18% Ni · CuNi18Zn20
3D shape
FOR PLASTIC FRAMES