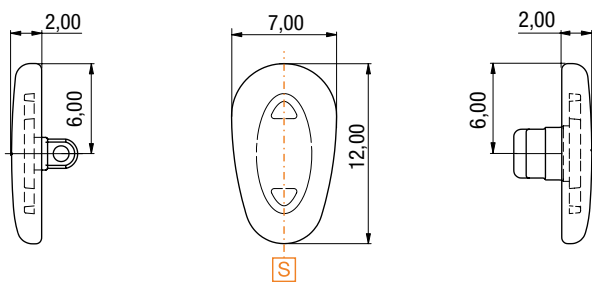


MSM® - MEDICAL SILICON MATERIAL

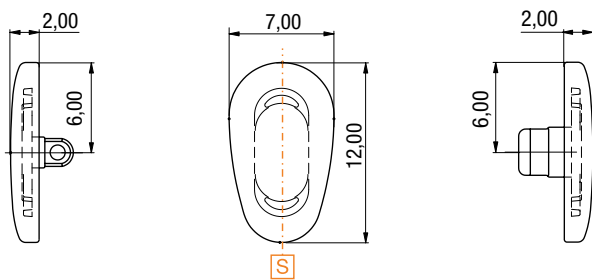
Neutral / Personalized plastic insert

TEARDROP SHAPE 12mm

Regular Pad
Material: Ultra Soft MSM Crystal Clear
Insert: PC insert



Neutral	
SCREW SYSTEM	73NPCE373A1WYX
CLICK SYSTEM	73NP93146000

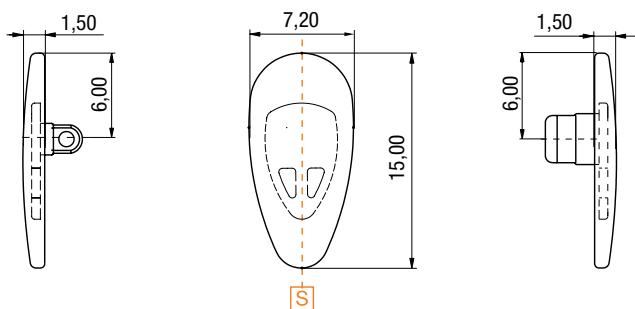


Personalized on PC insert "U Shape"	
SCREW SYSTEM	CE195
CLICK SYSTEM	CE196
Personalization on "U" insert (see pag.12-13)	IP HS IPHS DHS HSE

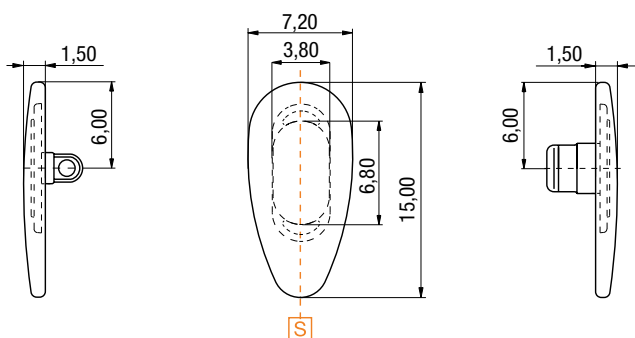
Detailed offer on request

TEARDROP SHAPE 15mm

Slim Pad
Material: Ultra Soft MSM Crystal Clear
Insert: PC insert



Neutral	
SCREW SYSTEM	73NP93135000
CLICK SYSTEM	73NP93136000



Personalized on PC insert "U Shape"	
SCREW SYSTEM	CE193
CLICK SYSTEM	CE194
Personalization on "U" insert (see pag.12-13)	IP HS IPHS DHS HSE

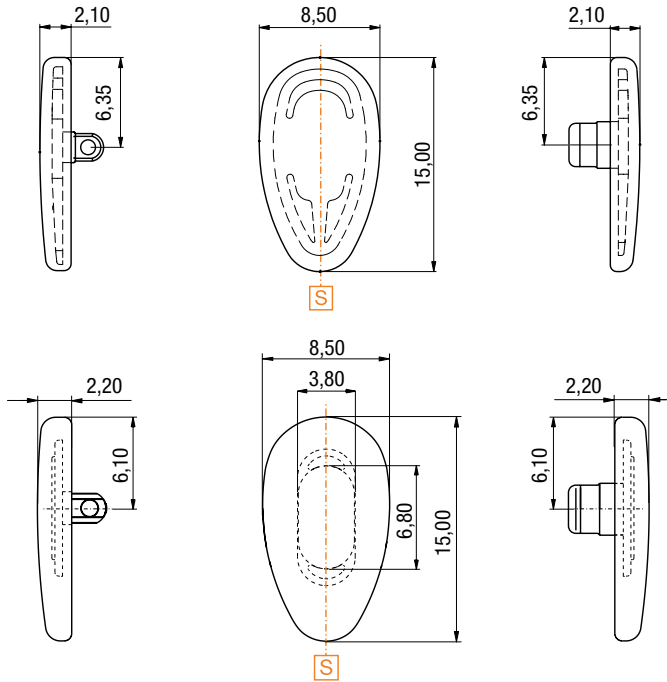
Detailed offer on request

MSM® - MEDICAL SILICON MATERIAL

Neutral / Personalized plastic insert

TEARDROP SHAPE 15mm

Regular Pad
Material: Ultra Soft MSM Crystal Clear
Insert: PC insert



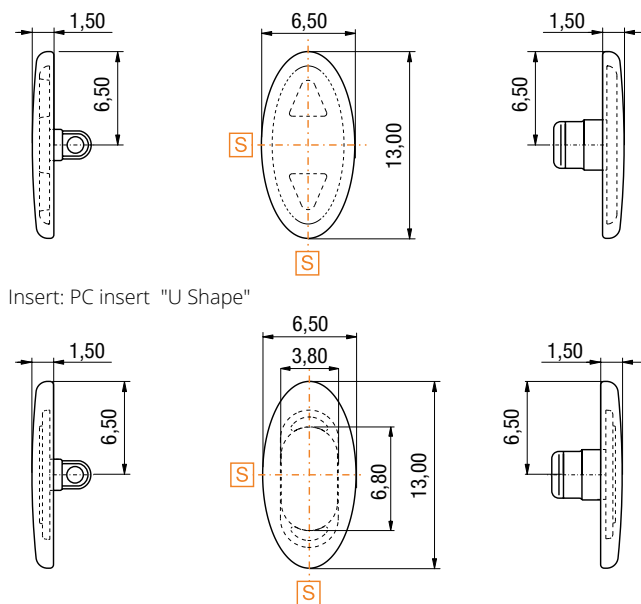
Neutral	
SCREW SYSTEM	73NP91545000
CLICK SYSTEM	73NP90552000

Personalized on PC insert "U Shape"	
SCREW SYSTEM	CE201
CLICK SYSTEM	CE202
Personalization on "U" insert (see pag.12-13)	IP HS IPHS DHS HSE

Detailed offer on request

OVAL SHAPE 13mm

Slim Pad
Material: Ultra Soft MSM Crystal Clear
Insert: PC insert



Insert: PC insert "U Shape"

Neutral	
SCREW SYSTEM	73NP93013000
CLICK SYSTEM	73NP93012000

Personalized on PC insert "U Shape"	
SCREW SYSTEM	CE191
CLICK SYSTEM	CE192
Personalization on "U" insert (see pag.12-13)	IP HS IPHS DHS HSE

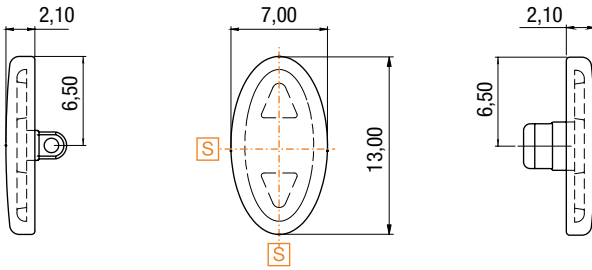
Detailed offer on request

MSM® - MEDICAL SILICON MATERIAL

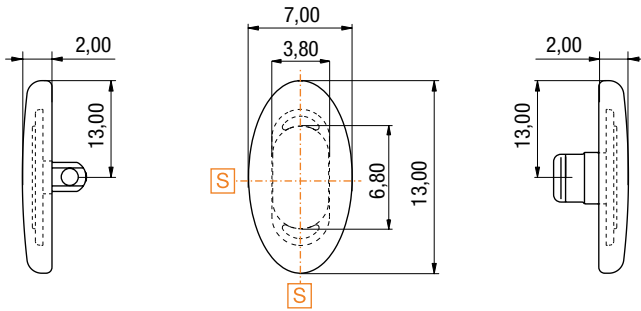
Neutral / Personalized plastic insert

OVAL SHAPE 13mm

Regular Pad
Material: Ultra Soft MSM Crystal Clear
Insert: PC insert



Neutral	
SCREW SYSTEM	73NP90612000
CLICK SYSTEM	73NP90669000

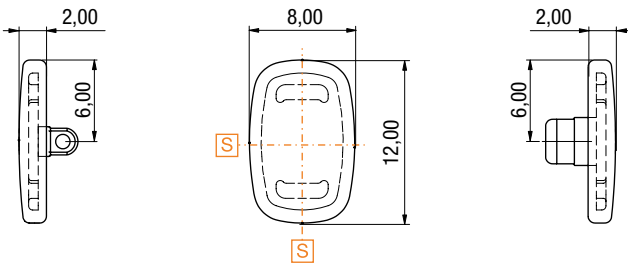


Personalized on PC insert "U Shape"	
SCREW SYSTEM	CE199
CLICK SYSTEM	CE200
Personalization on "U" insert (see pag.12-13)	IP HS IPHS DHS HSE

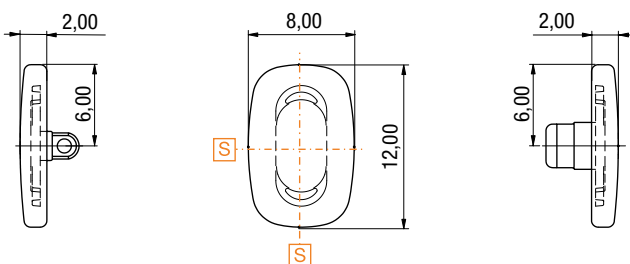
Detailed offer on request

RECTANGULAR SHAPE 12mm

Regular Pad
Material: Ultra Soft MSM Crystal Clear
Insert: PC insert



Neutral	
SCREW SYSTEM	73NP93007000
CLICK SYSTEM	73NP93006000



Personalized on PC insert "U Shape"	
SCREW SYSTEM	CE316
CLICK SYSTEM	C4438
Personalization on "U" insert (see pag.12-13)	IP HS IPHS DHS HSE

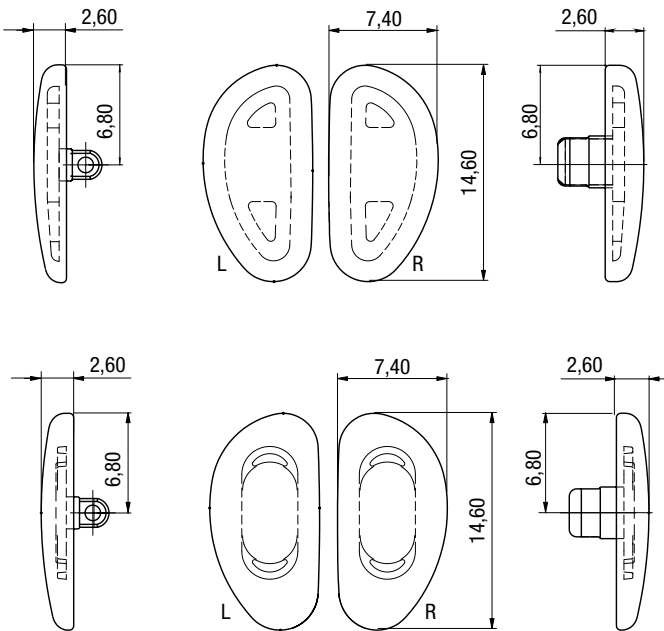
Detailed offer on request

MSM® - MEDICAL SILICON MATERIAL

Neutral / Personalized plastic insert

"D" SHAPE 14,60mm

Regular Pad
Material: Ultra Soft MSM Crystal Clear
Insert: PC insert



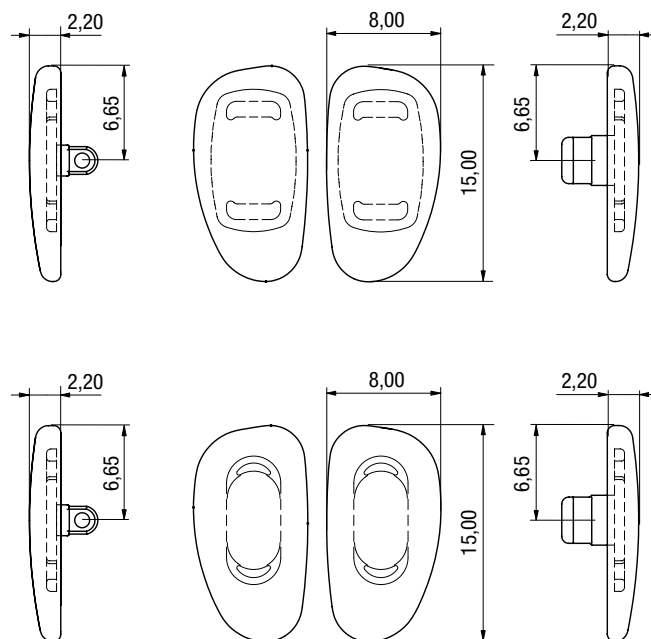
Neutral	
SCREW SYSTEM	73NP91555000
CLICK SYSTEM	73NP91548000

Personalized on PC insert "U Shape"	
SCREW SYSTEM	CE317
CLICK SYSTEM	CE318
Personalization on "U" insert (see pag.12-13)	IP HS IPHS DHS HSE

Detailed offer on request

"D" SHAPE 15mm

Regular Pad
Material: Ultra Soft MSM Crystal Clear
Insert: PC insert



Neutral	
SCREW SYSTEM	73NPC4545A1WY0
CLICK SYSTEM	73NPC4544A1WY0

Personalized on PC insert "U Shape"	
SCREW SYSTEM	CE319
CLICK SYSTEM	CE320
Personalization on "U" insert (see pag.12-13)	IP HS IPHS DHS HSE

Detailed offer on request