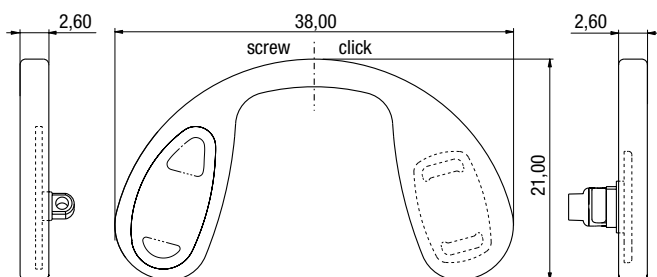


# MSM® - MEDICAL SILICON MATERIAL

Neutral plastic insert

## TWIN PADS 21mm

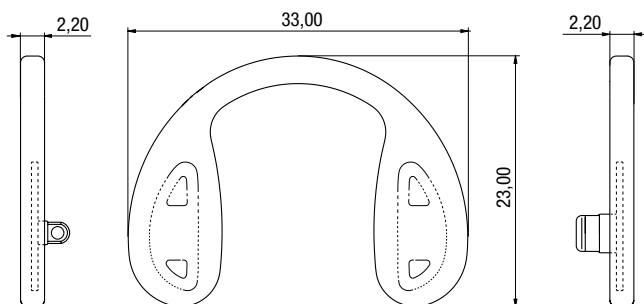
Regular Pad  
 Material: Ultra Soft MSM Crystal Clear  
 Insert: PC insert



Neutral	
SCREW SYSTEM	73NP93119000
CLICK SYSTEM	73NP93117000

## TWIN PADS 23mm

Regular Pad  
 Material: Ultra Soft MSM Crystal Clear  
 Insert: PC insert



Neutral	
SCREW SYSTEM	73NP93128000
CLICK SYSTEM	73NP93129000