

MPM - MEDICAL PVC MATERIAL

Neutral / Personalized plastic insert

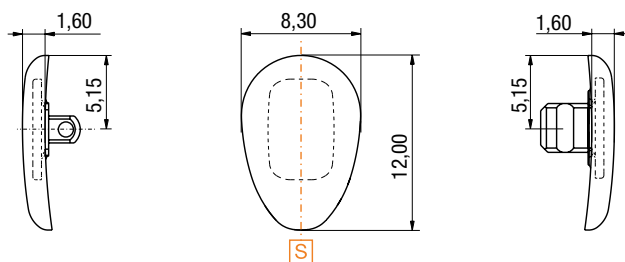
TEARDROP SHAPE

12mm

Slim Pad

Material: Soft MPM Crystal Cold

Insert: PC insert "C Shape"



Neutral

SCREW SYSTEM 71NPC7896A1WYX

CLICK SYSTEM 71NPC7897A1WYX

Personalized

SCREW SYSTEM C7896

CLICK SYSTEM C7897

Personalization on "C" insert (see pag.12-13)

- IP
- HS
- IPHS
- DHS
- HSE
- GPIE

Detailed offer on request

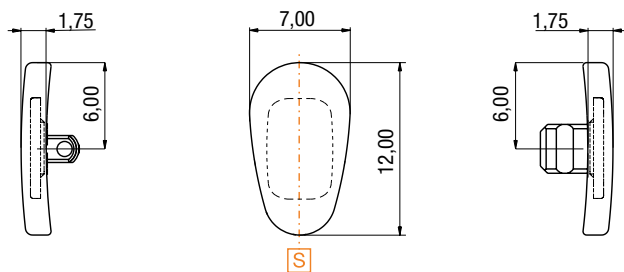
TEARDROP SHAPE

12mm

Regular Pad

Material: Soft MPM Crystal Cold

Insert: PC insert "C Shape"



Neutral

SCREW SYSTEM 71NPC7922A1WYX

CLICK SYSTEM 71NPC7923A1WYX

Personalized

SCREW SYSTEM C7922

CLICK SYSTEM C7923

Personalization on "C" insert (see pag.12-13)

- IP
- HS
- IPHS
- DHS
- HSE
- GPIE

Detailed offer on request

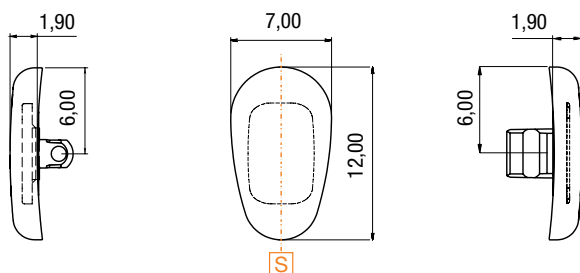
TEARDROP SHAPE

12mm

Regular Pad

Material: Soft MPM Crystal Cold

Insert: PC insert "C Shape"



Neutral

SCREW SYSTEM 71NPCD684A1WYX

CLICK SYSTEM 71NPC7924A1WYX

Personalized

SCREW SYSTEM CD684

CLICK SYSTEM C7924

Personalization on "C" insert (see pag.12-13)

- IP
- HS
- IPHS
- DHS
- HSE
- GPIE

Detailed offer on request

MPM - MEDICAL PVC MATERIAL

Neutral / Personalized plastic insert

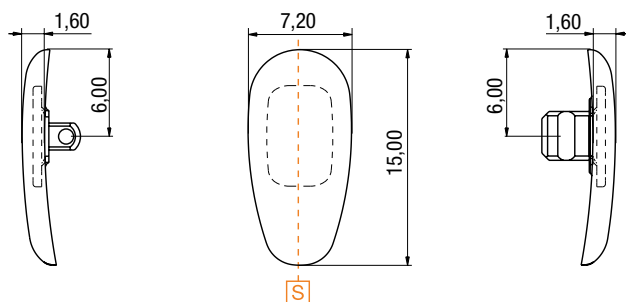
TEARDROP SHAPE

15mm

Slim Pad

Material: Soft MPM Crystal Cold

Insert: PC insert "C Shape"



Neutral

SCREW SYSTEM	71NPC7914A1WYX
CLICK SYSTEM	71NPC7913A1WYX

Personalized

SCREW SYSTEM	C7914
CLICK SYSTEM	C7913

Personalization on "C" insert (see pag.12-13)	IP HS IPHS DHS HSE GPIE
---	--

Detailed offer on request

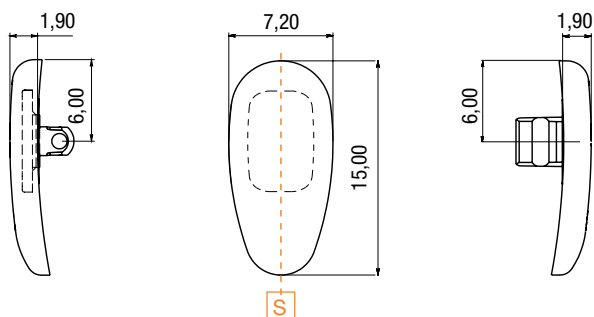
TEARDROP SHAPE

15mm

Regular Pad

Material: Soft MPM Crystal Cold

Insert: PC insert "C Shape"



Neutral

SCREW SYSTEM	71NPCD685A1WYX
CLICK SYSTEM	71NPC7925A1WYX

Personalized

SCREW SYSTEM	CD685
CLICK SYSTEM	C7925

Personalization on "C" insert (see pag.12-13)	IP HS IPHS DHS HSE GPIE
---	--

Detailed offer on request

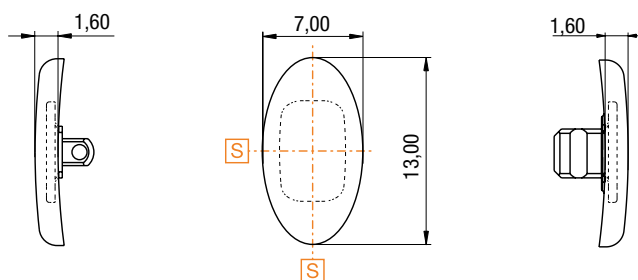
OVAL SHAPE

13mm

Slim Pad

Material: Soft MPM Crystal Cold

Insert: PC insert "C Shape"



Neutral

SCREW SYSTEM	71NPC7901A1WYX
CLICK SYSTEM	71NPC7902A1WYX

Personalized

SCREW SYSTEM	C7901
CLICK SYSTEM	C7902

Personalization on "C" insert (see pag.12-13)	IP HS IPHS DHS HSE GPIE
---	--

Detailed offer on request

MPM - MEDICAL PVC MATERIAL

Neutral / Personalized plastic insert

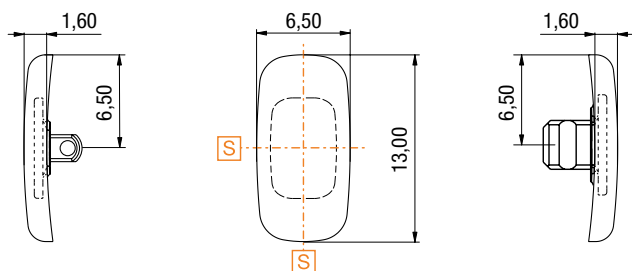
RECTANGULAR SHAPE

13mm

Slim Pad

Material: Soft MPM Crystal Cold

Insert: PC insert "C Shape"



Neutral

SCREW SYSTEM	71NPC7900A1WYX
CLICK SYSTEM	71NPC7899A1WYX

Personalized

SCREW SYSTEM	C7900
CLICK SYSTEM	C7899

Personalization on "C" insert (see pag.12-13)	IP HS IPHS DHS HSE GPIE
---	--

Detailed offer on request

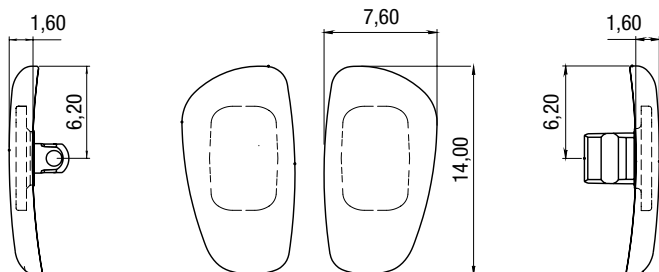
"D" SHAPE

14mm

Slim Pad

Material: Soft MPM Crystal Cold

Insert: PC insert "C Shape"



Neutral

SCREW SYSTEM	71NPCD687A1WY0
CLICK SYSTEM	71NPCD897A1WY0

Personalized

SCREW SYSTEM	CD687
CLICK SYSTEM	CD897

Personalization on "C" insert (see pag.12-13)	IP HS IPHS DHS HSE GPIE
---	--

Detailed offer on request

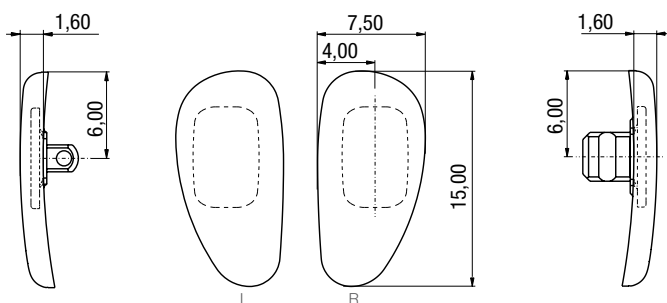
"D" SHAPE

15mm

Slim Pad

Material: Soft MPM Crystal Cold

Insert: PC insert "C Shape"



Neutral

SCREW SYSTEM	71NPC7916A1WY0
CLICK SYSTEM	71NPC7917AWY0

Personalized

SCREW SYSTEM	C7916
CLICK SYSTEM	C7917

Personalization on "C" insert (see pag.12-13)	IP HS IPHS DHS HSE GPIE
---	--

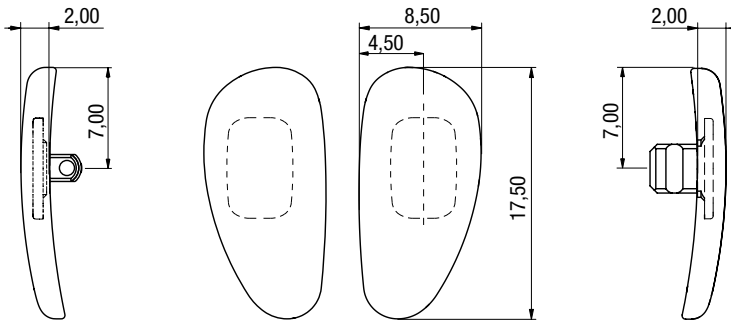
Detailed offer on request

MPM - MEDICAL PVC MATERIAL

Neutral / Personalized plastic insert

"D" SHAPE 17,5mm

Regular Pad
Material: Soft MPM Crystal Cold
Insert: PC insert "C Shape"



Neutral	
SCREW SYSTEM	71NPC7927A1WY0
CLICK SYSTEM	71NPC7928A1WY0

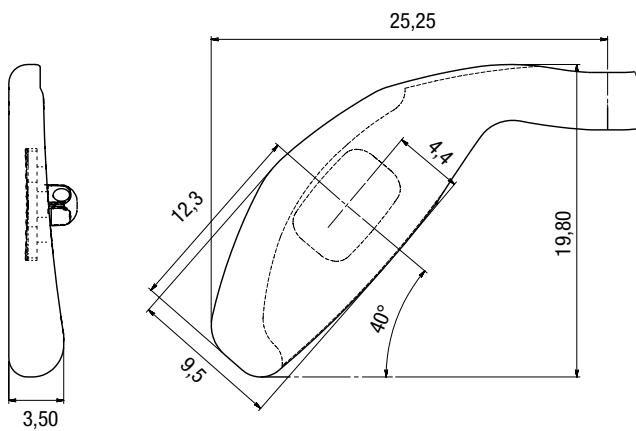
Personalized	
SCREW SYSTEM	C7927
CLICK SYSTEM	C7928

Personalization on "C" insert (see pag.12-13)	IP HS IPHS DHS HSE GPIE
---	--

Detailed offer on request

TWIN PAD 19,80mm

Regular Pad
Material: Soft MPM Crystal Cold
Insert: PC insert "C Shape"



Neutral	
SCREW SYSTEM	71NPC7931A1WYX

Personalized	
SCREW SYSTEM	C7931

Personalization on "C" insert (see pag.12-13)	IP HS IPHS DHS HSE GPIE
---	--

Detailed offer on request