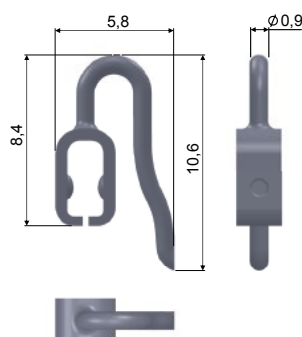


PAD ARM

SCREW SYSTEM	18PD90530000
---------------------	--------------

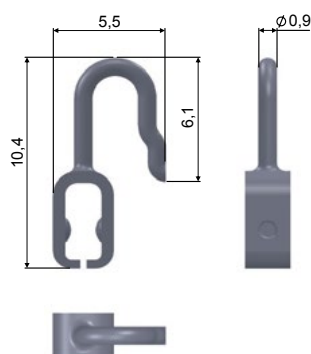
Stem code: OA7530
 Stem shape: 207
 Stem \varnothing 0.9
 Stem alloy Monel · NiCu30Fe
NORMAL BOX
 Box alloy Nickel Silver 18% Ni · CuNi18Zn20
STAMPED STEM 0.8 mm AT THE END



PAD ARM

CLICK SYSTEM	18PD90538000
---------------------	--------------

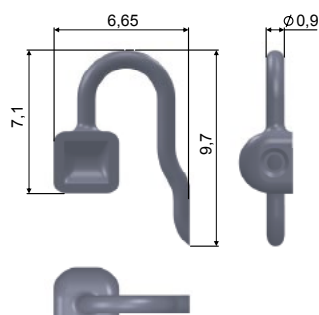
Stem code: OA7385
 Stem shape: 214
 Stem \varnothing 0.9
 Stem alloy Monel · NiCu30Fe
NORMAL BUCKLE
 Buckle alloy CuNi9Sn6



PAD ARM

CLICK SYSTEM	18PD91098000
---------------------	--------------

Stem code: OA7575
 Stem shape: 214
 Stem \varnothing 0.9
 Stem alloy Monel · NiCu30Fe
NORMAL BUCKLE
 Buckle alloy CuNi9Sn6



PAD ARM

SCREW SYSTEM	18PD90537000
---------------------	--------------

Stem code: OA7570
 Stem shape: 214
 Stem \varnothing 0.9
 Stem alloy Monel · NiCu30Fe
NORMAL BOX
 Box alloy Nickel Silver 18% Ni · CuNi18Zn20