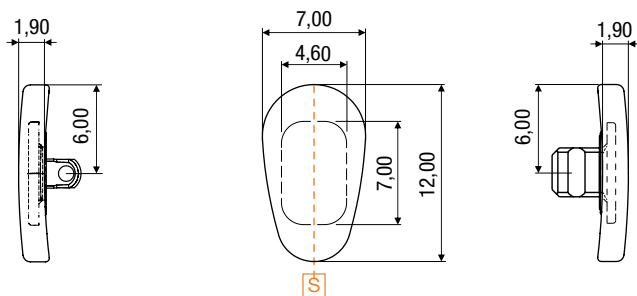


# MEM - MEDICAL EXCLUSIVE MATERIAL

Neutral / Personalized plastic insert

## TEARDROP SHAPE 12mm

Regular Pad  
Material: Soft MEM Crystal Warm  
Insert: PC insert "C Shape"



Neutral	
SCREW SYSTEM	81NPC6298A1WYX
CLICK SYSTEM	81NPC6299A1WYX

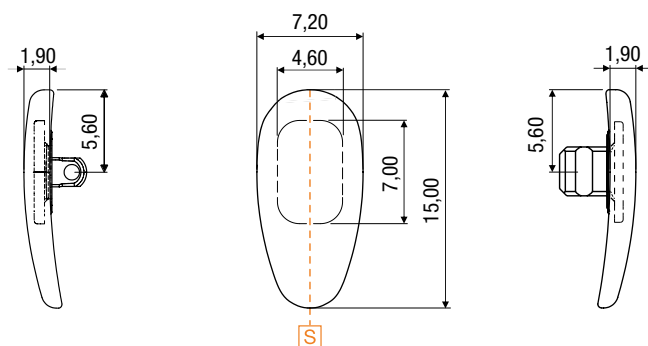
Personalized	
SCREW SYSTEM	C6298
CLICK SYSTEM	C6299

Personalization on "C" insert (see pag.12-13)	IP Positive HS Positive HSE Relief GPIE Screw
---	--

Detailed offer on request

## TEARDROP SHAPE 15mm

Regular Pad  
Material: Soft MEM Crystal Warm  
Insert: PC insert "C Shape"



Neutral	
SCREW SYSTEM	81NPC6304A1WYX
CLICK SYSTEM	81NPC6305A1WYX

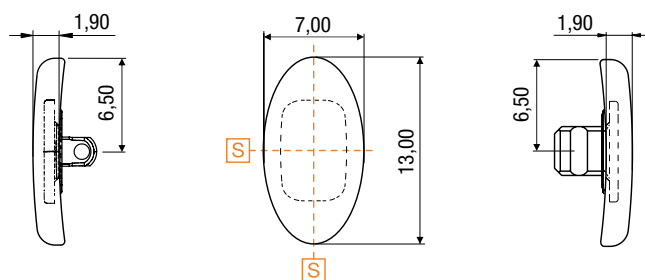
Personalized	
SCREW SYSTEM	C6304
CLICK SYSTEM	C6305

Personalization on "C" insert (see pag.12-13)	IP Positive HS Positive HSE Relief GPIE Screw
---	--

Detailed offer on request

## OVAL SHAPE 13mm

Regular Pad  
Material: Soft MEM Crystal Warm  
Insert: PC insert "C Shape"



Neutral	
SCREW SYSTEM	81NPC6302A1WYX
CLICK SYSTEM	81NPC6303A1WYX

Personalized	
SCREW SYSTEM	C6302
CLICK SYSTEM	C6303

Personalization on "C" insert (see pag.12-13)	IP Positive HS Positive HSE Relief GPIE Screw
---	--

Detailed offer on request

# MEM - MEDICAL EXCLUSIVE MATERIAL

Neutral / Personalized plastic insert

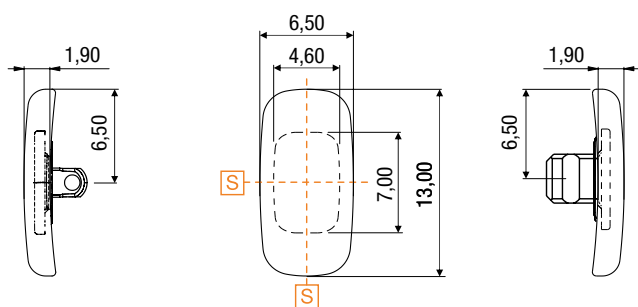
## RECTANGULAR SHAPE

13mm

Regular Pad

Material: Soft MEM Crystal Warm

Insert: PC insert "C Shape"



### Neutral

**SCREW SYSTEM** 81NPC6300A1WYX

**CLICK SYSTEM** 81NPC6301A1WYX

### Personalized

**SCREW SYSTEM** C6300

**CLICK SYSTEM** C6301

Personalization on "C" insert (see pag.12-13)  
IP Positive  
HS Positive  
HSE Relief  
GPIE Screw

Detailed offer on request

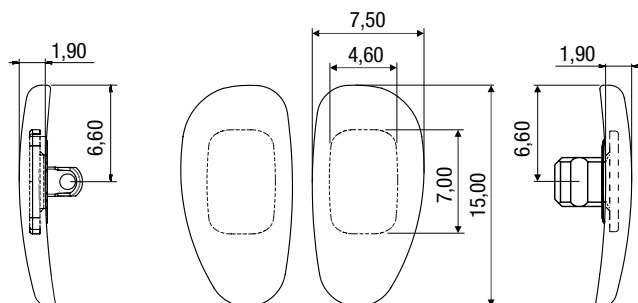
## "D" SHAPE

15mm

Regular Pad

Material: Soft MEM Crystal Warm

Insert: PC insert "C Shape"



### Neutral

**SCREW SYSTEM** 81NPC6306A1WY0

**CLICK SYSTEM** 81NPC6307A1WY0

### Personalized

**SCREW SYSTEM** C6306

**CLICK SYSTEM** C6307

Personalization on "C" insert (see pag.12-13)  
IP Positive  
HS Positive  
HSE Relief  
GPIE Screw

Detailed offer on request