

# MPM - MEDICAL PVC MATERIAL

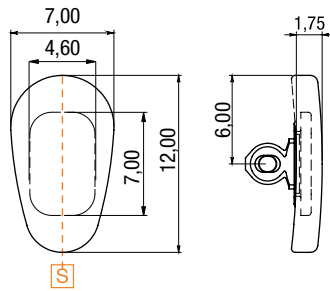
Neutral / Personalized plastic insert

## TEARDROP SHAPE 12mm

Regular Pad

### ERGOFEEL® SYSTEM · Self Aligning

Material: Soft MPM Crystal Cold  
Insert: PC insert "C Shape"



Neutral	
ERGOFEEL® SYSTEM	71NPC1339A1WYX

Personalized	
ERGOFEEL® SYSTEM	C1339
Personalization on "C" insert (see pag.12-13)	IP HS IPHS DHS HSE GPIE

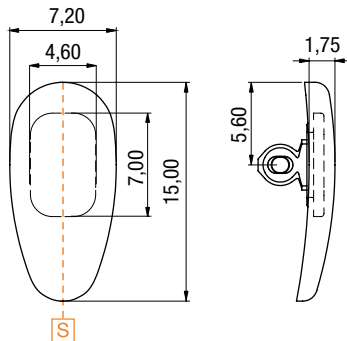
Detailed offer on request

## TEARDROP SHAPE 15mm

Regular Pad

### ERGOFEEL® SYSTEM · Self Aligning

Material: Soft MPM Crystal Cold  
Insert: PC insert "C Shape"



Neutral	
ERGOFEEL® SYSTEM	71NPC4089A1WYX

Personalized	
ERGOFEEL® SYSTEM	C4089
Personalization on "C" insert (see pag.12-13)	IP HS IPHS DHS HSE GPIE

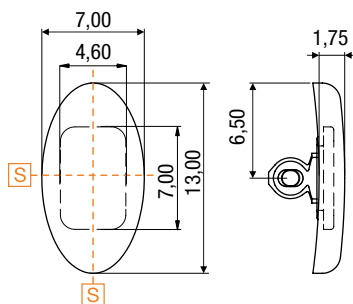
Detailed offer on request

## OVAL SHAPE 13mm

Regular Pad

### ERGOFEEL® SYSTEM · Self Aligning

Material: Soft MPM Crystal Cold  
Insert: PC insert "C Shape"



Neutral	
ERGOFEEL® SYSTEM	71NPC7024A1WYX

Personalized	
ERGOFEEL® SYSTEM	C7024
Personalization on "C" insert (see pag.12-13)	IP HS IPHS DHS HSE GPIE

Detailed offer on request

# MPM - MEDICAL PVC MATERIAL

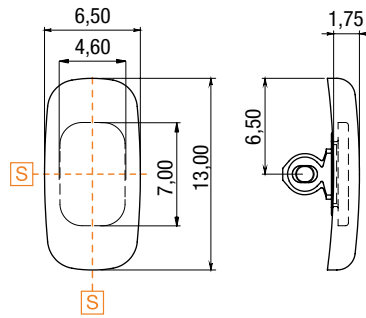
Neutral / Personalized plastic insert

**RECTANGULAR SHAPE** 13mm

Regular Pad

**ERGOFEEL® SYSTEM · Self Aligning**

Material: Soft MPM Crystal Cold  
Insert: PC insert "C Shape"



Neutral	
<b>ERGOFEEL® SYSTEM</b>	71NPC1338A1WYX

Personalized	
<b>ERGOFEEL® SYSTEM</b>	C1338
Personalization on "C" insert (see pag.12-13)	IP HS IPHS DHS HSE GPIE

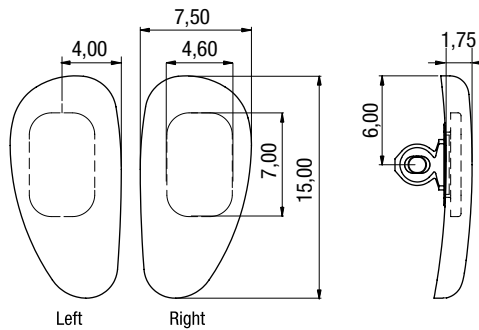
Detailed offer on request

**"D" SHAPE** 15mm

Regular Pad

**ERGOFEEL® SYSTEM · Self Aligning**

Material: Soft MPM Crystal Cold  
Insert: PC insert "C Shape"



Neutral	
<b>ERGOFEEL® SYSTEM</b>	71NPC1337A1WY0

Personalized	
<b>ERGOFEEL® SYSTEM</b>	C1337
Personalization on "C" insert (see pag.12-13)	IP HS IPHS DHS HSE GPIE

Detailed offer on request