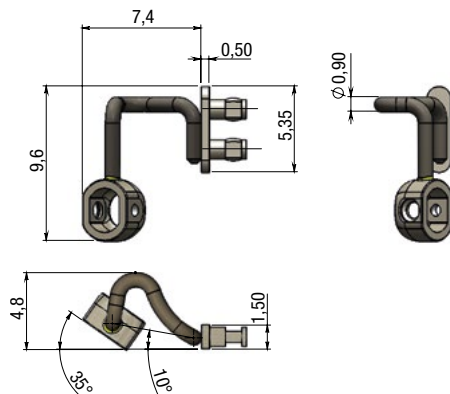
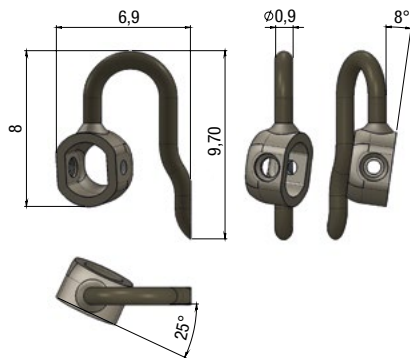


PATENTED

MONEL MATERIAL

Ergofeel® System Pad Arms



PAD ARM

ERGOFEEL® SYSTEM	18PDC4465A1BY0
-------------------------	----------------

Stem code: OA7570
Stem shape: 214
Stem \varnothing 0.9
Stem alloy Monel · NiCu30Fe

ERGOFEEL® BOX

ERGOFEEL® box alloy Nickel Silver 18% Ni · CuNi18Zn20
Slanted ERGOFEEL® box 25°*8°

PAD ARM

ERGOFEEL® SYSTEM	18PDB1270A1BY0
-------------------------	----------------

Stem code: 18SEB1269A1BY0
Stem shape: 310
Stem \varnothing 0.9
Stem alloy Monel · NiCu30Fe

ERGOFEEL® BOX

ERGOFEEL® box alloy Nickel Silver 18% Ni · CuNi18Zn20
Slanted ERGOFEEL® box 35°
3D shape
FOR PLASTIC FRAMES