

MEM - MEDICAL EXCLUSIVE MATERIAL

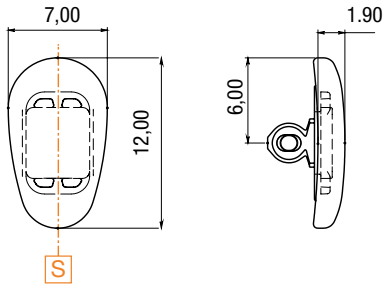
Neutral / Personalized plastic insert

TEARDROP SHAPE 12mm

Regular Pad

ERGOFEEL® SYSTEM · Self Aligning

Material: Soft MEM Crystal Warm
Insert: PC insert "W Shape"



Neutral	
ERGOFEEL® SYSTEM	81NPCB890A1WYX

Personalized	
ERGOFEEL® SYSTEM	CB890
Personalization on "W" insert (see pag.12-13)	IP Positive HS Positive HSE Relief GPIE Screw

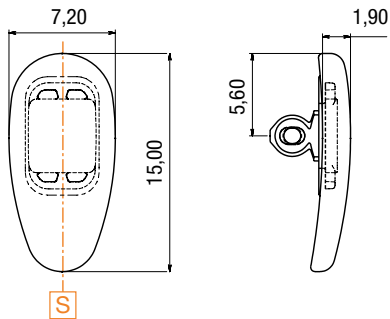
Detailed offer on request

TEARDROP SHAPE 15mm

Regular Pad

ERGOFEEL® SYSTEM · Self Aligning

Material: Soft MEM Crystal Warm
Insert: PC insert "W Shape"



Neutral	
ERGOFEEL® SYSTEM	81NPCB888A1WYX

Personalized	
ERGOFEEL® SYSTEM	CB888
Personalization on "W" insert (see pag.12-13)	IP Positive HS Positive HSE Relief GPIE Screw

Detailed offer on request