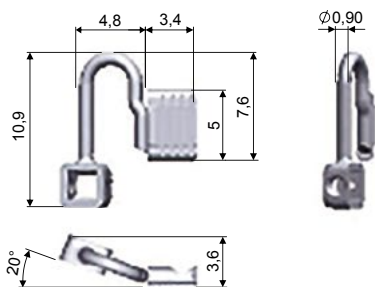


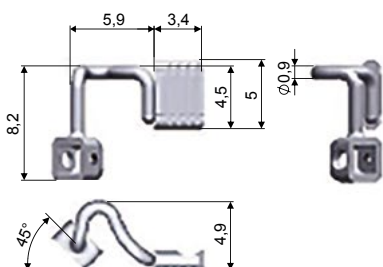
# MONEL MATERIAL

## Change Fit System Pad Arms



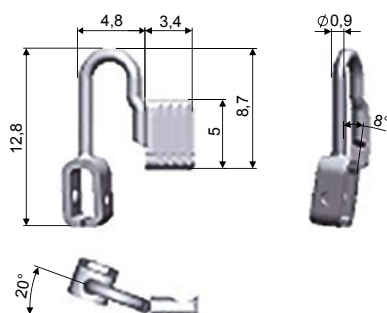
PAD ARM	
SCREW SYSTEM RAW	18PDC8936A1BY0
COATING	UPON SPECIFIC REQUEST

Stem code: 18SEC8933A1BYX  
 Stem shape: 214  
 Stem  $\varnothing$  0.9  
 Stem alloy Monel NiCu30Fe  
**Screw:** 07VIC9332A1BYX



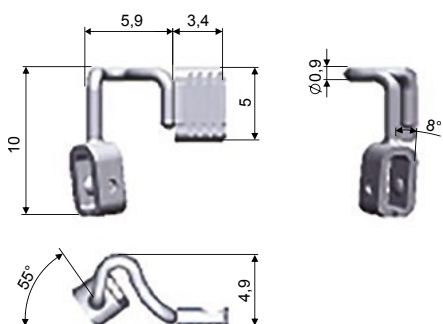
PAD ARM	
SCREW SYSTEM RAW	18PDC8935A1BY0
COATING	UPON SPECIFIC REQUEST

Stem code: 18SEB1269A1BY0  
 Stem shape: 310  
 Stem  $\varnothing$  0.9  
 Stem alloy Monel NiCu30Fe  
**Screw:** 07VIC9332A1BYX



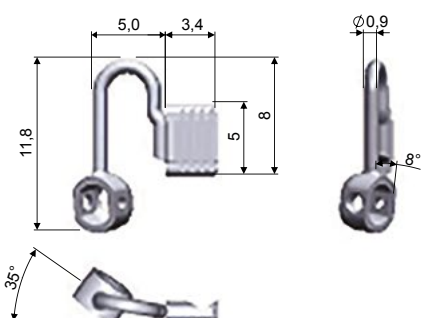
PAD ARM	
CLICK SYSTEM RAW	18PDC8934A1BY0
COATING	UPON SPECIFIC REQUEST

Stem code: 18SEC8933A1BYX  
 Stem shape: 214  
 Stem  $\varnothing$  0.9  
 Stem alloy Monel NiCu30Fe



PAD ARM	
CLICK SYSTEM RAW	18PDC8930A1BY0
COATING	UPON SPECIFIC REQUEST

Stem code: 18SEB1269A1BY0  
 Stem shape: 310  
 Stem  $\varnothing$  0.9  
 Stem alloy Monel NiCu30Fe



PAD ARM	
ERGOFEEL® SYSTEM RAW	18PDC8937A1BY0
COATING	UPON SPECIFIC REQUEST

Stem code: 18SEC8933A1BYX  
 Stem shape: 214  
 Stem  $\varnothing$  0.9  
 Stem alloy Monel NiCu30Fe  
**Screw:** 07VIC9331A1BYX