



COMFORT FOR THE VISION



VISOTTICA
GROUP

visotticagroup.com





SPECIFICATIONS AND COMPLIANCE

NOSE PADS	MATERIAL SPECIFICATIONS.....	8
	COMPLIANCE.....	10
	PERSONALIZATION RANGE.....	12
	INSERT SHAPES FOR PERSONALIZATION.....	14
	ORIENTATION SYSTEM.....	15





NOSE PADS SYNOPTIC INDEX

	SYNOPTIC INDEX.....	16
--	---------------------	----

STYLEMAX NOSE PADS

NOSE PADS	 MEM - MEDICAL EXCLUSIVE MATERIAL neutral / personalized plastic insert "C".....	24
	 MPM - MEDICAL PVC MATERIAL neutral / personalized plastic insert "C".....	25

ERGOFEEL® SYSTEM · SELF ALIGNING

NOSE PADS	 MPM - MEDICAL PVC MATERIAL neutral / personalized plastic insert "C".....	28
	 MEM - MEDICAL EXCLUSIVE MATERIAL neutral / personalized plastic insert "C".....	30
PAD ARMS	SYNOPTIC INDEX.....	32
	 NICKEL SILVER 18% NI.....	
	 .32MONEL.....	35




CHANGE FIT SYSTEM





PAD ARMS	 MONEL.....	38
----------	--	----

BUTTON SYSTEM

NOSE PADS	 MSM - MEDICAL SILICONE MATERIAL 42
	 MEM - MEDICAL EXCLUSIVE MATERIAL 43

SCREW AND CLICK SYSTEM

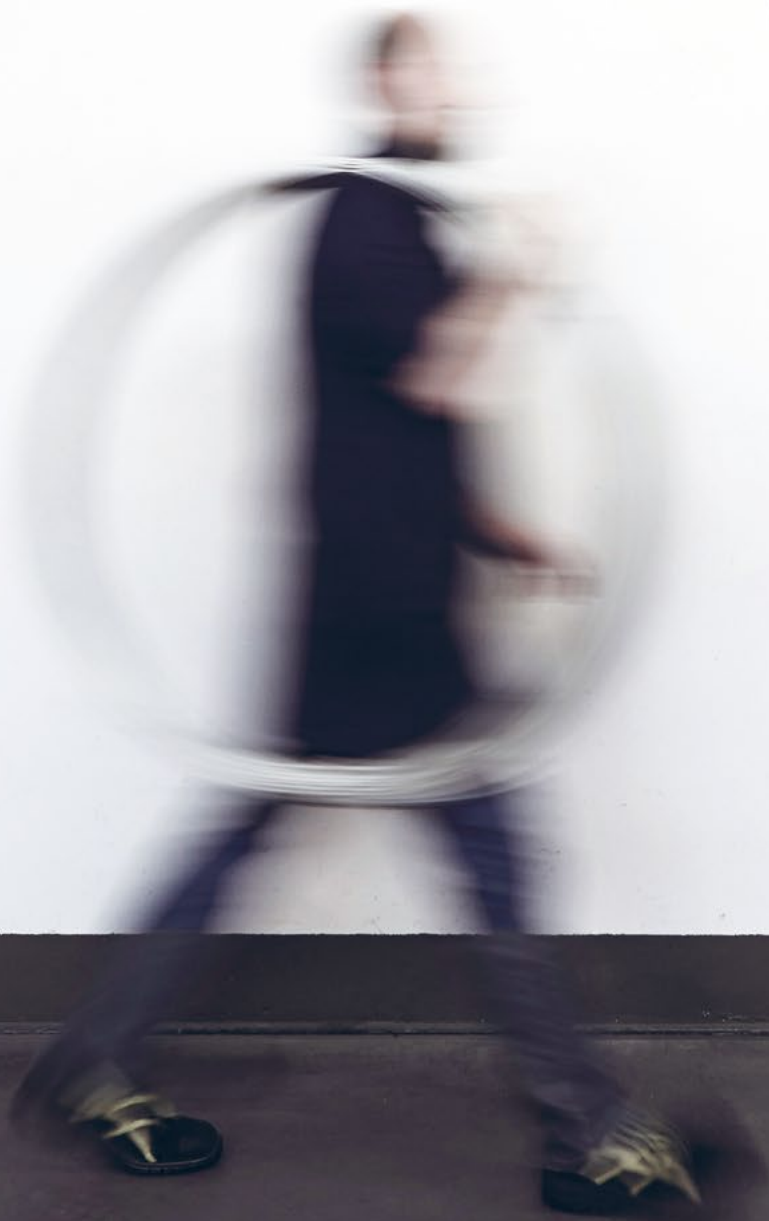
NOSE PADS	 MPM - MEDICAL PVC MATERIAL	no insert neutral 46
		neutral / personalized plastic insert "C" 48
		neutral / personalized plastic insert Twin Pad 51
	 MEM - MEDICAL EXCLUSIVE MATERIAL	neutral / personalized plastic insert "C" 52
	 MSM - MEDICAL SILICONE MATERIAL	neutral plastic insert 54
		personalized plastic insert "U" 54
		neutral plastic insert Twin Pad 58

PAD ARMS	SYNOPTIC INDEX 62
	 NICKEL SILVER 18% NI 66
	 MONEL 69
	 TITANIUM 70
	 NICKEL SILVER 18% NI · For plastic frames 71

CUSTOMIZED PRODUCTS

FEATURED PRODUCTS 74

VC





NOSE PADS & PAD ARMS

Comfort for the Vision catalogue offers a wide choice of nose pads that ensure safe, comfortable and durable fit.

Our Nose pads are monoblock (no insert) or overmolded (with plastic insert).

A comprehensive range of shapes: round, oval, tear drop, rectangular, D shape (Left and Right) in different sizes and thickness combined with:

• Different systems of assembly:

**SCREW
CLICK
ERGOFEEL®
BUTTON**

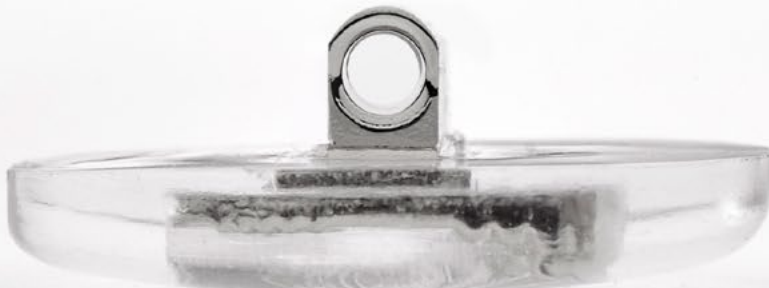
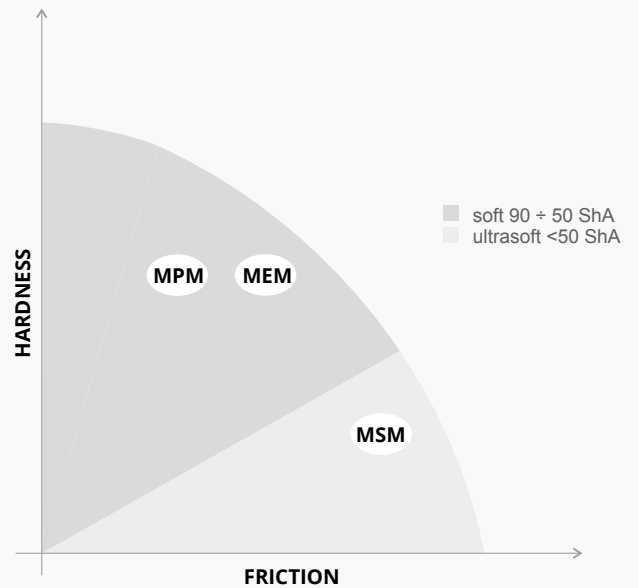
• Different materials in different shades of transparent crystal and hardness:

MPM - Soft Medical PVC Material, Crystal Cold
MEM - Soft Medical Exclusive Material, Crystal Warm
MSM - Ultrasoft Medical Silicone Material, Crystal Clear

• Different kinds of personalization on the insert:

**Ink Printing
Hot Stamping
Hot Stamping Engraving
Galvanized Plastic Insert Engraving**

GRAPHIC COMPARISON OF HARDNESS AND FRICTION



In addition to our comprehensive range of basic products and personalization we offer many customization options to meet your specific needs: special shapes, different types of inserts, different types of personalization, other types of materials and colours.

MEM
MEDICAL EXCLUSIVE MATERIAL



MEM Respectful of Humans and the Environment



Recyclable



Energy Saver



Medical Grade Material

MATERIAL FEATURES AND BENEFITS

MPM - SOFT MEDICAL PVC MATERIAL

- Perfect clear transparence
- Easy to clean under water
- Highly smooth surface
- Soft for comfort
- Long-lasting lifetime
- Skin friendly, safe for the health, biocompatible

MEM - SOFT MEDICAL EXCLUSIVE MATERIAL

- Clear transparence
- Easy to clean under water
- Highly smooth surface
- Soft and slight grip touch (anti-sliding) for increased comfort
- Longer lasting lifetime, high stability
- Skin friendly, biocompatible, Ecofriendly
- Safe for the Health, safe for the Environment

MSM - ULTRASOFT MEDICAL SILICONE MATERIAL

- Clear transparence
- Smooth and ultrasoft material for best comfort
- Highly smooth surface
- Strong grip touch (anti-sliding)
- Skin friendly, safe for the health, biocompatible



Visottica Group is keen on offering reliable NOSE PADS complying with international standards FOR PROTECTION OF HUMAN HEALTH AND THE ENVIRONMENT. The latest development, MEM material, is positioned at even a higher level than what is requested by regulations of the optical field.

The nose pads shells are in direct and prolonged contact with the skin, making them a critical point of any frame. Visottica Group efforts are dedicated to protect the health of the final consumer by certifying the compliance of every material used, as well as securing the responsibility of the different members of the supply chain (manufacturers, brands and distributors, etc.).

OUR NOSEPADS ARE IN COMPLIANCE WITH:

REACH

Famous European comprehensive regulations of all chemicals.

CPSIA

US Regulation limiting the content of many common substances (such as Phthalates and Lead).

PROP. 65

Californian Regulation which regulates substances officially listed by California. Particularly in relation to BpA, our nosepads perfectly comply with "Safe Harbor Level" of 3 µg/day, under which clear and reasonable warnings are not needed. With the exception of GPIE personalized pads which consequently are not label free under PROP.65 regulation.

CONFLICT MATERIALS

Regulating the use of minerals coming from countries affected by conflicts or extensive human rights violations.

ISO 12870

Major requirements for unglazed spectacle frames designed for use with all prescription lenses. About NOSE PADS, the standard defines the method for testing the resistance to: perspiration, ignition, optical radiation. It defines the requirements for products intended to come into direct and prolonged contact with the skin (such as NOSE PADS shell):

BIOCOMPATIBILITY

The Biocompatibility of new materials for NOSE PAD shell is guaranteed by passing three tests of ISO 10993 - "Biological Evaluation of Medical Devices": Cytotoxicity, Irritation and Sensitization. Concerning historical materials that have been used for years in the market, for which there are no clear evidence of allergic reactions, the BIOCOMPATIBILITY is verified with only Cytotoxicity test.





Our Nosepads OUT-PERFORM mandatory regulations

We offer **Medical Grade Material** shells which grant higher safety and biocompatibility standards, following USP "CLASS VI" (US Pharmacopeia Standard).

Our MEM - Medical Exclusive Material is exceeding all above standards, in particular it is:

Recyclable

Energy saver

Medical Grade

Respecting Humans and the Environment

And it guarantees compliance with most of **Restricted Substance Lists** of the biggest players in the market.

More detailed information and declarations are available on our website
www.visotticagroup.com/en/download/compliance-declaration/



IP Ink Printing

on transparent plastic insert

Logo

Red 186C

Black 6C

Grey 9C

Blue 295C

Green 343C

Other colours on request



HS Hot Stamping

Positive effect logo on transparent plastic insert

Logo

Matt Gold

Matt Silver

Shiny Gold

Shiny Silver



Negative effect transparent logo

Background

Matt Gold

Matt Silver



IPHS Ink Printing

on Hot Stamping

Background

Matt Gold

Matt Silver

Logo

Red 186C

Black 6C

Grey 9C

Blue 295C

Green 343C

Other colours on request





DHS Double Hot Stamping

Combinations available

Background	Logo
Matt Gold	Shiny Gold
Matt Gold	Shiny Silver
Matt Silver	Shiny Gold
Matt Silver	Shiny Silver



HSE Hot Stamping Engraving

Logo in relief, on transparent plastic insert

Logo
Matt Gold
Matt Silver
Shiny Gold
Shiny Silver



Logo in hollow, visible by transparency

Background
Matt Gold
Matt Silver



GPIE Galvanized Plastic Insert Engraving

with logo in relief or in hollow on matt-shiny combination

Not Prop.65 Label Free

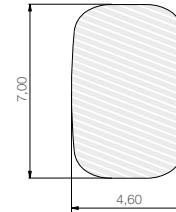
Colours
Gold
Silver



ERGOFEEL® SYSTEM

“C SHAPE” • Plastic Insert

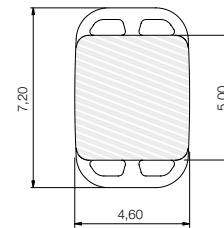
PERSONALIZATION AREA
OF STANDARD INSERT
FOR MPM PAD MATERIAL



ORIENTED
NOT ORIENTED

“W SHAPE” • Plastic Insert

PERSONALIZATION AREA
OF STANDARD INSERT
FOR MEM PAD MATERIAL

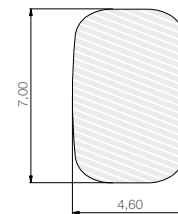


ORIENTED
NOT ORIENTED

SCREW AND CLICK SYSTEM

“C SHAPE” • Plastic Insert

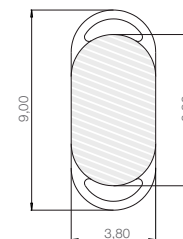
PERSONALIZATION AREA
OF STANDARD INSERT
FOR MPM AND MEM
PAD MATERIAL



ORIENTED
NOT ORIENTED

“U SHAPE” • Plastic Insert

PERSONALIZATION AREA
OF STANDARD INSERT
FOR SILICONE PAD MATERIAL



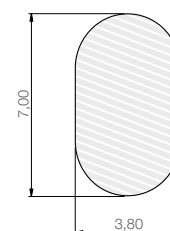
NOT ORIENTED

ALTERNATIVE FOR SCREW AND CLICK SYSTEM

“V SHAPE” • Plastic Insert

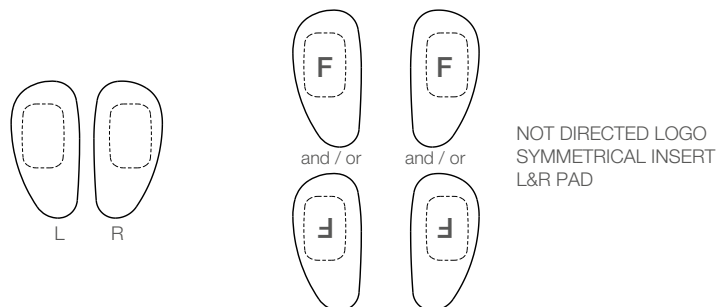
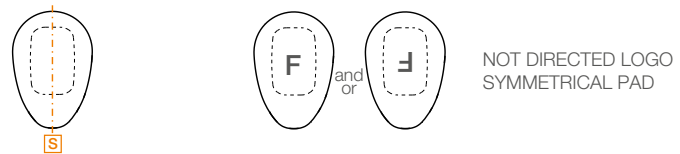
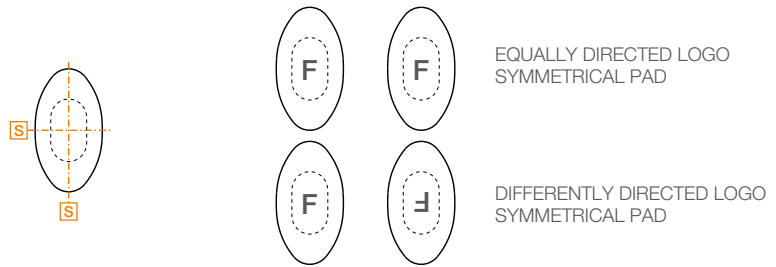
PERSONALIZATION AREA
OF STANDARD INSERT
FOR MPM PAD MATERIAL

• MOQ of 200,000 pairs

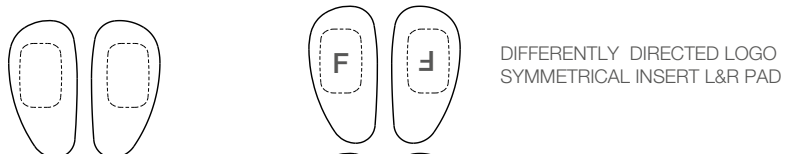
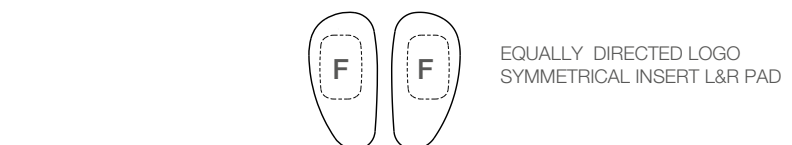
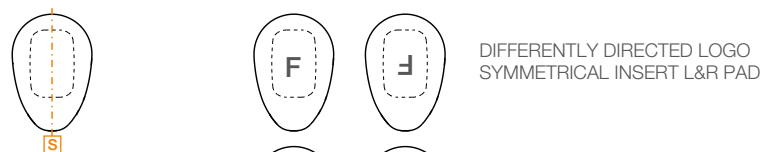
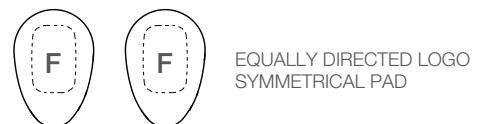
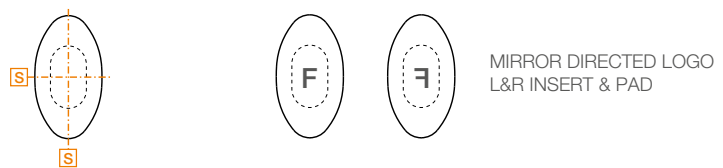


ORIENTED
NOT ORIENTED


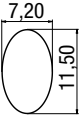
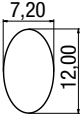

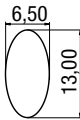
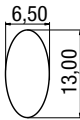
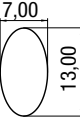
NOT ORIENTED

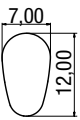
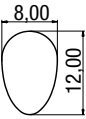
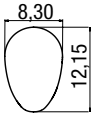
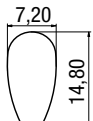


ORIENTED



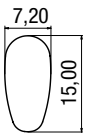
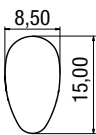
SYNOPTIC INDEX NOSE PADS

	Shape	System	Thickness	MPM - MEDICAL PVC MATERIAL	MEM - MEDICAL EXCLUSIVE MATERIAL	MSM - MEDICAL SILICONE MATERIAL
Round Shape		BUTTON System	1,40			73NP91511000 (p. 42)
Oval Shape		BUTTON System	1,75		81NPCB850A1BYX (p. 43)	
		SCREW System	1,35	71NPC7950A1WYX (p. 46)		
		BUTTON System	1,80			73NP93145000 (p. 42)
		SCREW System	1,50			73NP93013000 (p. 55)
		CLICK System	1,50			73NP93012000 (p. 55)
Oval Shape		ERGOFEEL® System	1,75	71NPC7024A1WYX (p. 28)		
		SCREW System	1,50	71NPC7956A1WYX (p. 46)		
			1,60	71NPC7901A1WYX (p. 49)		
			1,90		81NPC6302A1WYX (p. 52)	
			2,00			73NP90612000 (p. 56)
			2,30		81NPCK959A1WNX (p. 24) 81NPCK959A2WDX (p. 24) 81NPCK959A3WUX (p. 24)	
		CLICK System	1,60	71NPC7902A1WYX (p. 49)		
			1,90		81NPC6303A1WYX (p. 52)	
			2,00			73NP90669000 (p. 56)
			2,30	71NPCK961A1WNX (p. 25) 71NPCK961A2WDX (p. 25) 71NPCK961A3WUX (p. 25)		

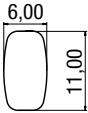
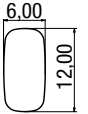
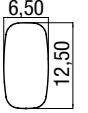
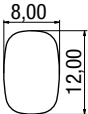
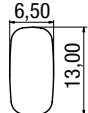
Shape	System	Thickness	MPM - MEDICAL PVC MATERIAL	MEM - MEDICAL EXCLUSIVE MATERIAL	MSM - MEDICAL SILICONE MATERIAL
	ERGOFEEL® System	1,75	71NPC1339A1WYX (p. 28)		
		1,90		81NPCB890A1WYX (p. 30)	
	SCREW System	1,75	71NPC7922A1WYX (p. 48)		
		1,90	71NPCD684A1WYX (p. 48)	81NPC6298A1WYX (p. 52)	
	CLICK System	1,75	71NPC7923A1WYX (p. 48)		
		1,90	71NPC7924A1WYX (p. 48)	81NPC6299A1WYX (p. 52)	
SCREW System	2,00			73NPCE373A1WYX (p. 54)	
CLICK System	2,00			73NP93146000 (p. 54)	
	SCREW System	1,40	71NPC7948A1WYX (p. 46)		
	CLICK System	1,40	71NPCD667A1WYX (p. 46)		
	SCREW System	1,60	71NPC7896A1WYX (p. 48)		
	CLICK System	1,60	71NPC7897A1WYX (p. 48)		
	SCREW System	1,50			73NP93135000 (p. 54)
		1,90	71NPCD685A1WYX (p. 49)		
	CLICK System	1,50			73NP93136000 (p. 54)
		1,90	71NPC7925AWYX (p. 49)		
	ERGOFEEL® System	1,75	71NPC4089A1WYX (p. 28)		
		1,90		81NPCB888A1WYX (p. 30)	

Teardrop Shape

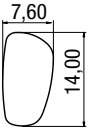
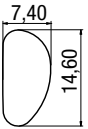
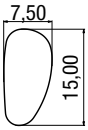

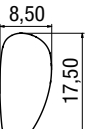
SYNOPTIC INDEX NOSE PADS

Shape	System	Thickness	MPM - MEDICAL PVC MATERIAL	MEM - MEDICAL EXCLUSIVE MATERIAL	MSM - MEDICAL SILICONE MATERIAL
	SCREW System	1,60	71NPC7914A1WYX (p. 49)		
		1,90		81NPC6304A1WYX (p. 52)	
	CLICK System	1,60	71NPC7913WYX (p. 49)		
		1,90		81NPC6305A1WYX (p. 52)	
	SCREW System	2,20			73NP91545000 (p. 55)
	CLICK System	2,20			73NP90552000 (p. 55)

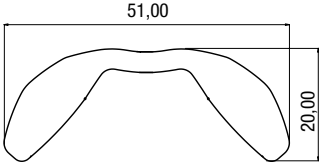
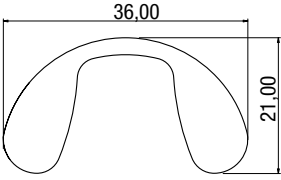
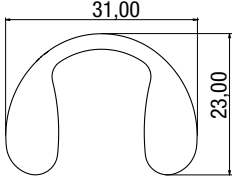
Teardrop Shape

Shape	System	Thickness	MPM - MEDICAL PVC MATERIAL	MEM - MEDICAL EXCLUSIVE MATERIAL	MSM - MEDICAL SILICONE MATERIAL	
Rectangular Shape		BUTTON System	1,70			73NP93151000 (p. 43)
		SCREW System	1,40	71NPB7955A1WYX (p. 47)		
		BUTTON System	1,70			73NPB0956A1WYX (p. 42)
		SCREW System	2,00			73NP93007000 (p. 56)
		CLICK System	2,00			73NP93006000 (p. 56)
		SCREW System	1,60	71NPCD668A1WYX (p. 47)		
		SCREW System	1,60	71NPC7900A1WYX (p. 50)		
		CLICK System	1,60	71NPC7899A1WYX (p. 50)		
		ERGOFEEL® System	1,75	71NPC1338A1WYX (p. 29)		
		SCREW System	1,90		81NPC6300A1WYX (p. 53)	
CLICK System		1,90		81NPC6301A1WYX (p. 53)		

SYNOPTIC INDEX NOSE PADS

Shape	System	Thickness	MPM - MEDICAL PVC MATERIAL	MEM - MEDICAL EXCLUSIVE MATERIAL	MSM - MEDICAL SILICONE MATERIAL
	SCREW System	1,60	71NPCD687A1WY0 (p. 50)		
	CLICK System	1,60	71NPCD897A1WY0 (p. 50)		
	SCREW System	2,60			73NP91555000 (p. 57)
	CLICK System	2,60			73NP91548000 (p. 57)
	ERGOFEEL® System	1,75	71NPC1337A1WY0 (p. 29)		
	SCREW System	1,60	71NPC7916A1WY0 (p. 50)		
		1,90		81NPC6306A1WY0 (p. 53)	
	CLICK System	1,60	71NPC7917A1WY0 (p. 50)		
		1,90		81NPC6307A1WY0 (p. 53)	
		SCREW System	2,20		
CLICK System		2,20			73NPC4544A1WY0 (p. 57)
	SCREW System	2,00	71NPC7927A1WY0 (p. 51)		
	CLICK System	2,00	71NPC7928A1WY0 (p. 51)		

"D" Shape

Shape	System	Thickness	MPM - MEDICAL PVC MATERIAL	MEM - MEDICAL EXCLUSIVE MATERIAL	MSM - MEDICAL SILICONE MATERIAL
	SCREW System	2,20	71NPC7931A1WYX (p. 51)		
	SCREW System	2,60			73NP93119000 (p. 58)
	CLICK System	2,60			73NP93117000 (p. 58)
	SCREW System	2,20			73NP93128000 (p. 58)
	CLICK System	2,20			73NP93129000 (p. 58)

Twin Pads

STYLEMAX NOSEPAD

More space. Just fit. Just right.



Features

- Patented anti-losing screw system
- Ensuring the screw does not drop or get lost.

PATENTED

MEM - MEDICAL EXCLUSIVE MATERIAL

Neutral / Personalized plastic insert

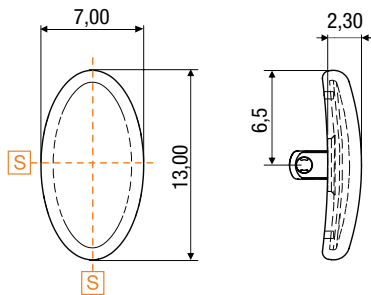
OVAL SHAPE | 13mm

Regular Pad

STYLE MAX

ANTI-LOSING SCREW SYSTEM

Material: Soft MEM Crystal Warm
Insert: PC insert "C Shape"



Insert colour: NICKEL

SCREW SYSTEM | 81NPCK959A1WDX

Insert colour: GOLD

SCREW SYSTEM | 81NPCK959A2WDX

Insert colour: RUTHENIUM

SCREW SYSTEM | 81NPCK959A3WUX



Anti-losing screw system

Patented double groove anti-losing screw system holds the nose pad firmly in place, making sure the screw does not drop or get lost.



Stainless Screw for STYLE MAX pad arm
Code: 07VICJ595A1BYX

MPM - MEDICAL PVC MATERIAL

Neutral / Personalized plastic insert

OVAL SHAPE

13mm

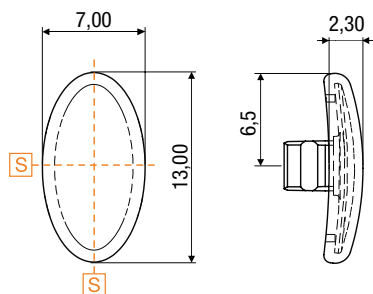
Regular Pad

STYLE MAX

CLICK SYSTEM

Material: Soft MPM Crystal Cold

Insert: PC insert "C Shape"



Insert colour: NICKEL

CLICK SYSTEM	71NPCK961A1WDX
--------------	----------------

Insert colour: GOLD

CLICK SYSTEM	71NPCK961A2WDX
--------------	----------------

Insert colour: RUTHENIUM

CLICK SYSTEM	71NPCK961A3WUX
--------------	----------------



Customization for screw & click system

INK PRINTING ON GPI - GALVANIZED PLASTIC INSERT

Explore our customization options for GPI.

STANDARD COLOR INK PRINTING*:

- Black
- Grey

AVAILABLE UPON REQUEST:

- Customized Insert
- Customized Pad Shape

*Note: Other ink printing colors available upon request



ERGOFEEL® SYSTEM Nose Pads

Ergonomic touch, comfortable feeling

Self adapting pad and pad-arm system to maximize comfort on the nose



Features

- Horizontal and vertical self-adjustment
- Less adjustments needed
- Adaptability to different nose shapes
- Better fit for more comfort
- Improved quality of vision



WATCH THE VIDEO

MPM - MEDICAL PVC MATERIAL

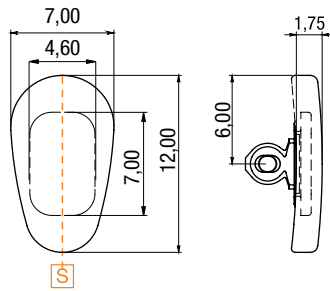
Neutral / Personalized plastic insert

TEARDROP SHAPE 12mm

Regular Pad

ERGOFEEL® SYSTEM · Self Aligning

Material: Soft MPM Crystal Cold
Insert: PC insert "C Shape"



Neutral	
ERGOFEEL® SYSTEM	71NPC1339A1WYX

Personalized	
ERGOFEEL® SYSTEM	C1339
Personalization on "C" insert (see pag.12-13)	IP HS IPHS DHS HSE GPIE

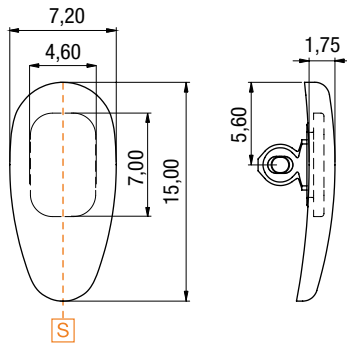
Detailed offer on request

TEARDROP SHAPE 15mm

Regular Pad

ERGOFEEL® SYSTEM · Self Aligning

Material: Soft MPM Crystal Cold
Insert: PC insert "C Shape"



Neutral	
ERGOFEEL® SYSTEM	71NPC4089A1WYX

Personalized	
ERGOFEEL® SYSTEM	C4089
Personalization on "C" insert (see pag.12-13)	IP HS IPHS DHS HSE GPIE

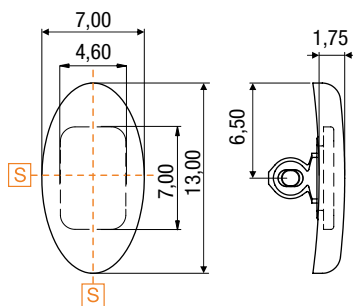
Detailed offer on request

OVAL SHAPE 13mm

Regular Pad

ERGOFEEL® SYSTEM · Self Aligning

Material: Soft MPM Crystal Cold
Insert: PC insert "C Shape"



Neutral	
ERGOFEEL® SYSTEM	71NPC7024A1WYX

Personalized	
ERGOFEEL® SYSTEM	C7024
Personalization on "C" insert (see pag.12-13)	IP HS IPHS DHS HSE GPIE

Detailed offer on request

MPM - MEDICAL PVC MATERIAL

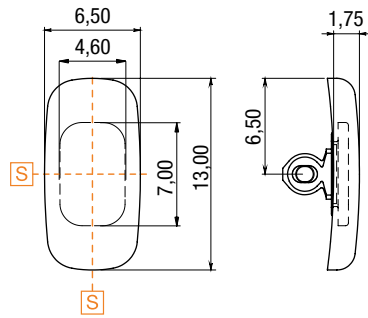
Neutral / Personalized plastic insert

RECTANGULAR SHAPE 13mm

Regular Pad

ERGOFEEL® SYSTEM · Self Aligning

Material: Soft MPM Crystal Cold
Insert: PC insert "C Shape"



Neutral	
ERGOFEEL® SYSTEM	71NPC1338A1WYX

Personalized	
ERGOFEEL® SYSTEM	C1338
Personalization on "C" insert (see pag.12-13)	IP HS IPHS DHS HSE GPIE

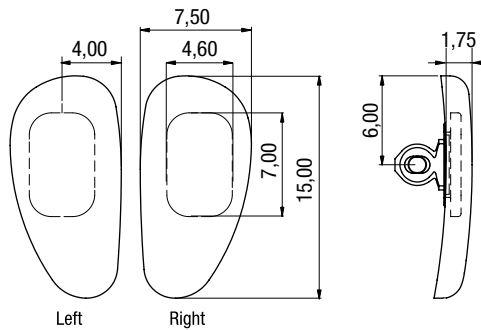
Detailed offer on request

"D" SHAPE 15mm

Regular Pad

ERGOFEEL® SYSTEM · Self Aligning

Material: Soft MPM Crystal Cold
Insert: PC insert "C Shape"



Neutral	
ERGOFEEL® SYSTEM	71NPC1337A1WY0

Personalized	
ERGOFEEL® SYSTEM	C1337
Personalization on "C" insert (see pag.12-13)	IP HS IPHS DHS HSE GPIE

Detailed offer on request

MEM - MEDICAL EXCLUSIVE MATERIAL

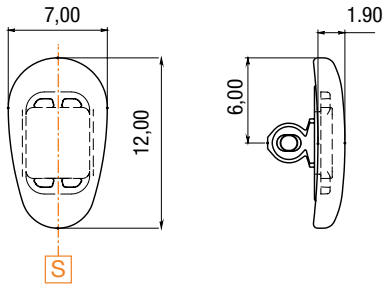
Neutral / Personalized plastic insert

TEARDROP SHAPE 12mm

Regular Pad

ERGOFEEL® SYSTEM · Self Aligning

Material: Soft MEM Crystal Warm
Insert: PC insert "W Shape"



Neutral	
ERGOFEEL® SYSTEM	81NPCB890A1WYX

Personalized	
ERGOFEEL® SYSTEM	CB890
Personalization on "W" insert (see pag.12-13)	IP Positive HS Positive HSE Relief GPIE Screw

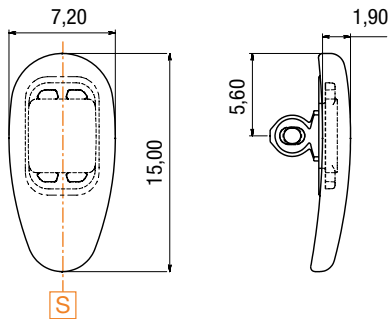
Detailed offer on request

TEARDROP SHAPE 15mm

Regular Pad

ERGOFEEL® SYSTEM · Self Aligning

Material: Soft MEM Crystal Warm
Insert: PC insert "W Shape"



Neutral	
ERGOFEEL® SYSTEM	81NPCB888A1WYX

Personalized	
ERGOFEEL® SYSTEM	CB888
Personalization on "W" insert (see pag.12-13)	IP Positive HS Positive HSE Relief GPIE Screw

Detailed offer on request

ERGOFEEL® SYSTEM Pad Arms

Ergonomic touch, comfortable feeling

Self adapting pad and pad-arm system to maximize comfort on the nose



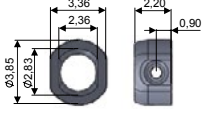
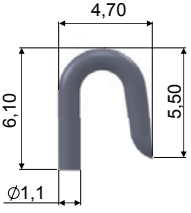
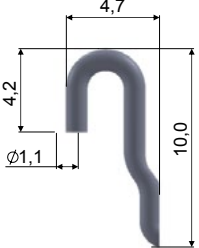
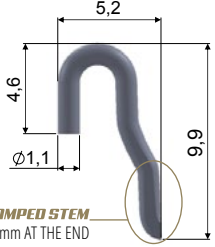

Features

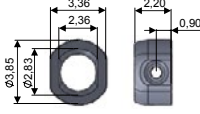
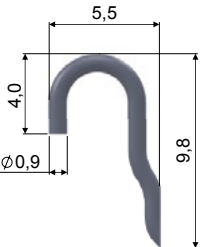
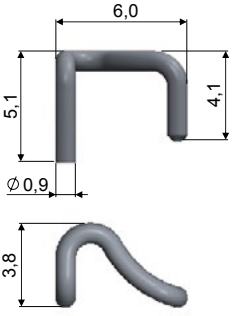
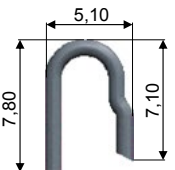
- Horizontal and vertical self-adjustment
- Less adjustments needed
- Adaptability to different nose shapes
- Better fit for more comfort
- Improved quality of vision



WATCH THE VIDEO

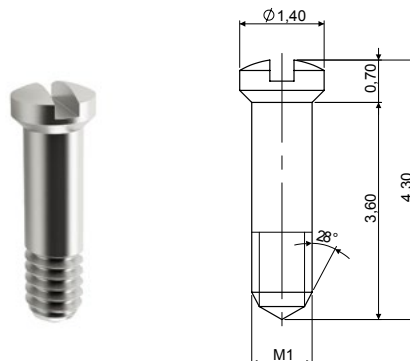
SYNOPTIC INDEX PAD ARMS ERGOFEEL® SYSTEM

			ERGOFEEL® System
MATERIAL	STEM IMAGE	STEM CODE (STEM SHAPE)	
NICKEL SILVER 18% Ni MATERIAL		OA7428 (207)	03PDC4463A1BY0 (page 34)
		OA7578 (214)	03PDB1268A1BY0 (page 34)
		ROA0121 (214)	03PDC4462A1BY0 (page 34)
		ROA0011 (214)	03PDC4461A1BY0 (page 34)

MATERIAL	STEM IMAGE	STEM CODE (STEM SHAPE)	
MONEL MATERIAL		OA7570 (214)	18PDC4465A1BY0 <small>(page 35)</small>
		B1269 (310)	18PDB1270A1BY0 <small>(page 35)</small>
		C8933 (214)	18PDC8937A1BY0 <small>(page 39)</small>

ERGOFEEL® SCREW

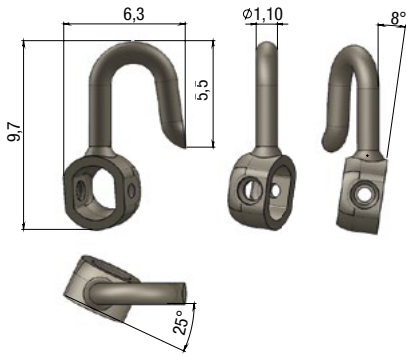
Stainless Screw for ERGOFEEL® pad arm
 Code: 07VIA0994A1BYX



PATENTED

NICKEL SILVER 18% Ni MATERIAL

Ergofeel® System Pad Arms

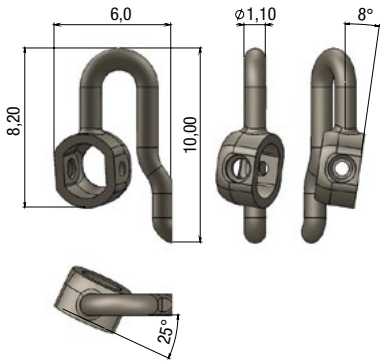


PAD ARM

ERGOFEEL® SYSTEM	03PDC4463A1BY0
-------------------------	----------------

Stem code: OA7428
 Stem shape: 207
 Stem Ø 1.10
 Stem alloy Nickel Silver 18% Ni · CuNi18Zn20

ERGOFEEL® BOX
 ERGOFEEL® box alloy Nickel Silver 18% Ni · CuNi18Zn20
 Slanted ERGOFEEL® box 25°*8°

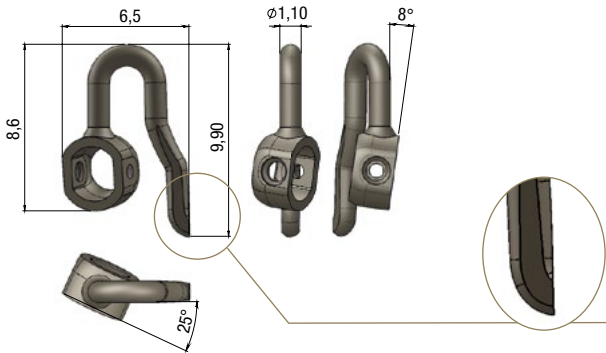


PAD ARM

ERGOFEEL® SYSTEM	03PDB1268A1BY0
-------------------------	----------------

Stem code: OA7578
 Stem shape: 214
 Stem Ø 1.10
 Stem alloy Nickel Silver 18% Ni · CuNi18Zn20

ERGOFEEL® BOX
 ERGOFEEL® box alloy Nickel Silver 18% Ni · CuNi18Zn20
 Slanted ERGOFEEL® box 25°*8°

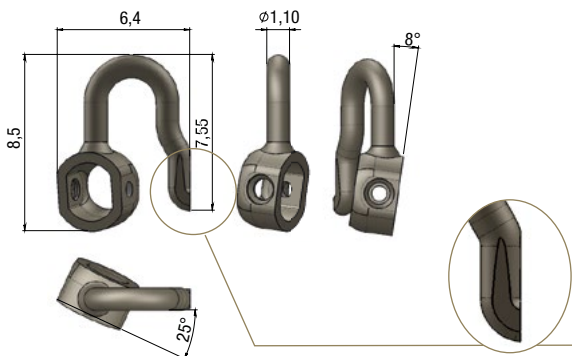


PAD ARM

ERGOFEEL® SYSTEM	03PDC4462A1BY0
-------------------------	----------------

Stem code: ROA0121
 Stem shape: 214
 Stem Ø 1.10
 Stem alloy Nickel Silver 18% Ni · CuNi18Zn20

ERGOFEEL® BOX
 ERGOFEEL® box alloy Nickel Silver 18% Ni · CuNi18Zn20
 Slanted ERGOFEEL® box 25°*8°
STAMPED STEM 0.9 mm AT THE END



PAD ARM

ERGOFEEL® SYSTEM	03PDC4461A1BY0
-------------------------	----------------

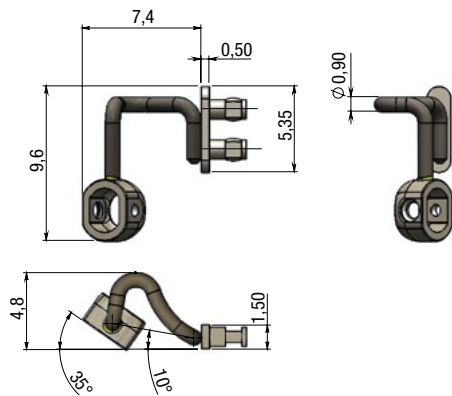
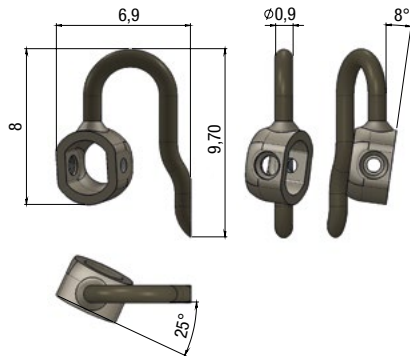
Stem code: ROA0011
 Stem shape: 214
 Stem Ø 1.10
 Stem alloy Nickel Silver 18% Ni · CuNi18Zn20

ERGOFEEL® BOX
 ERGOFEEL® box alloy Nickel Silver 18% Ni · CuNi18Zn20
 Slanted ERGOFEEL® box 25°*8°
STAMPED STEM 0.9 mm AT THE END

PATENTED

MONEL MATERIAL

Ergofeel® System Pad Arms



PAD ARM

ERGOFEEL® SYSTEM	18PDC4465A1BY0
-------------------------	----------------

Stem code: OA7570
Stem shape: 214
Stem Ø 0.9
Stem alloy Monel · NiCu30Fe

ERGOFEEL® BOX

ERGOFEEL® box alloy Nickel Silver 18% Ni · CuNi18Zn20
Slanted ERGOFEEL® box 25°*8°

PAD ARM

ERGOFEEL® SYSTEM	18PDB1270A1BY0
-------------------------	----------------

Stem code: 18SEB1269A1BY0
Stem shape: 310
Stem Ø 0.9
Stem alloy Monel · NiCu30Fe

ERGOFEEL® BOX

ERGOFEEL® box alloy Nickel Silver 18% Ni · CuNi18Zn20
Slanted ERGOFEEL® box 35°
3D shape
FOR PLASTIC FRAMES

CHANGE FIT SYSTEM

High versatility for different fittings

Innovative pad-arm system for injection frames

Features

- Easy to apply, easy to replace
- Versatility
- Model standardization
- Assorted variety
- Intuitive and discrete looking



WATCH THE VIDEO

PATENTED

PRODUCT SPECIFICATIONS

Change Fit System Pad Arms

VISOTTICA
GROUP

EASY TO APPLY, EASY TO REPLACE



STEM SHAPES AND ATTACHMENTS



SCREW SYSTEM
2D and 3D
(Mini box)



CLICK SYSTEM
2D and 3D



ERGOFEEL® SYSTEM

BASIC OFFER OF PAD-ARMS
Customized stem shapes available on request.

ASSORTED VARIETY OF NOSE PADS
We offer the possibility of choosing the best match with our wide standard offer of nose pads.

CONSTRUCTION AND FINISHING

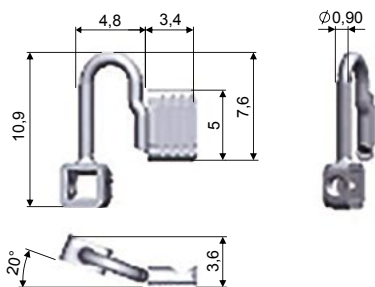
Slim stem in MONEL Ø0.90 mm



Offered in two different finishing:
• Uncoated Pad-arm
• Coated Pad-arm: upon specific request

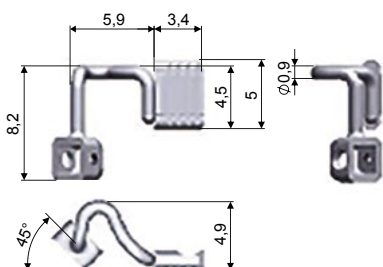
MONEL MATERIAL

Change Fit System Pad Arms



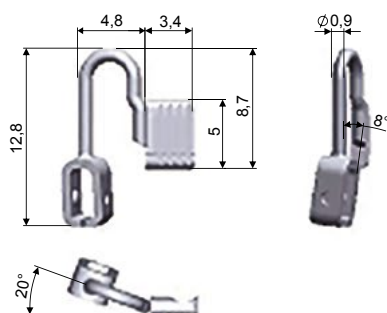
PAD ARM	
SCREW SYSTEM RAW	18PDC8936A1BY0
COATING	UPON SPECIFIC REQUEST

Stem code: 18SEC8933A1BYX
 Stem shape: 214
 Stem \varnothing 0.9
 Stem alloy Monel NiCu30Fe
Screw: 07VIC9332A1BYX



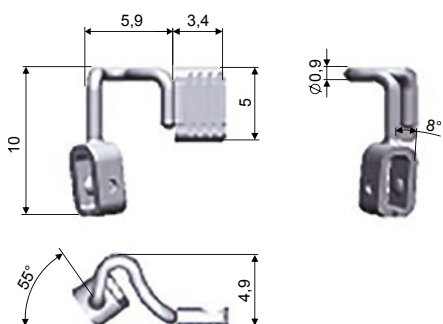
PAD ARM	
SCREW SYSTEM RAW	18PDC8935A1BY0
COATING	UPON SPECIFIC REQUEST

Stem code: 18SEB1269A1BY0
 Stem shape: 310
 Stem \varnothing 0.9
 Stem alloy Monel NiCu30Fe
Screw: 07VIC9332A1BYX



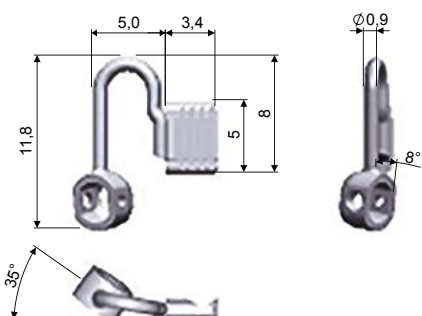
PAD ARM	
CLICK SYSTEM RAW	18PDC8934A1BY0
COATING	UPON SPECIFIC REQUEST

Stem code: 18SEC8933A1BYX
 Stem shape: 214
 Stem \varnothing 0.9
 Stem alloy Monel NiCu30Fe



PAD ARM	
CLICK SYSTEM RAW	18PDC8930A1BY0
COATING	UPON SPECIFIC REQUEST

Stem code: 18SEB1269A1BY0
 Stem shape: 310
 Stem \varnothing 0.9
 Stem alloy Monel NiCu30Fe



PAD ARM	
ERGOFEEL® SYSTEM RAW	18PDC8937A1BY0
COATING	UPON SPECIFIC REQUEST

Stem code: 18SEC8933A1BYX
 Stem shape: 214
 Stem \varnothing 0.9
 Stem alloy Monel NiCu30Fe
Screw: 07VIC9331A1BYX

BUTTON SYSTEM

Snap-on system

The solution that ensures comfort and the perfect fit



Features

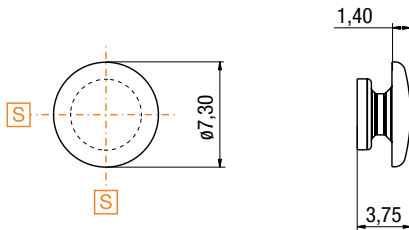
- Slim, light and discreet
- For freedom of design

MSM® - MEDICAL SILICON MATERIAL

Neutral No Insert

ROUND SHAPE 7,3mm

Slim Pad
Material: Ultra Soft MSM Crystal Clear
No insert

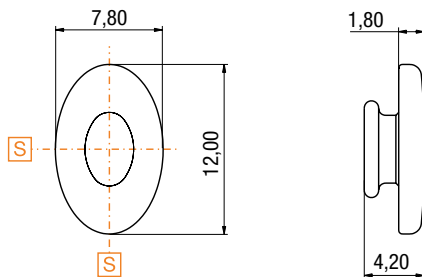


Neutral

BUTTON SYSTEM	73NP91511000
---------------	--------------

OVAL SHAPE 12mm

Regular Pad
Material: Ultra Soft MSM Crystal Clear
No insert

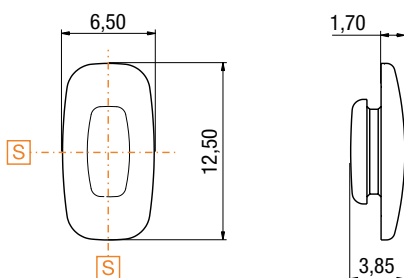


Neutral

BUTTON SYSTEM	73NP93145000
---------------	--------------

RECTANGULAR SHAPE 12,5mm

Regular Pad
Material: Ultra Soft MSM Crystal Clear **Matt Transparent**
No insert



Neutral

BUTTON SYSTEM	73NPB0956A1WYX
---------------	----------------

MSM® - MEDICAL SILICON MATERIAL

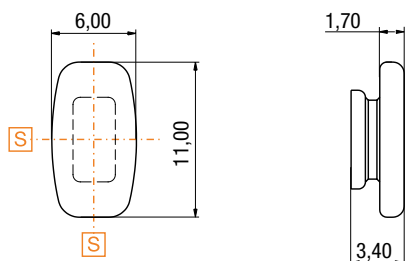
Neutral No Insert

RECTANGULAR SHAPE 11mm

Regular Pad

Material: Ultra Soft MSM **Matt Transarent**

No insert



Neutral

BUTTON SYSTEM	73NP93151000
----------------------	--------------

MEM - MEDICAL EXCLUSIVE MATERIAL

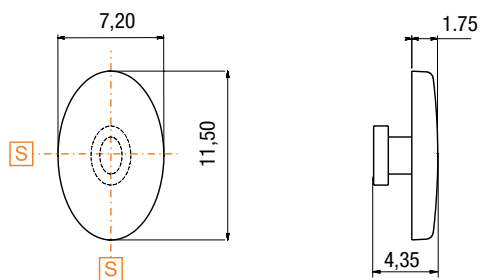
Neutral No Insert

OVAL SHAPE 11,5mm

Regular Pad

Material: Soft MEM Crystal Warm

No insert



Neutral

BUTTON SYSTEM	81NPCB850A1BYX
----------------------	----------------

SCREW AND CLICK SYSTEM

Nose pads collections

Features

- International standards, worldwide aftersales
- Mobility for a comfortable fit
- Wide variety of shapes and personalization



MPM - MEDICAL PVC MATERIAL

Neutral No Insert

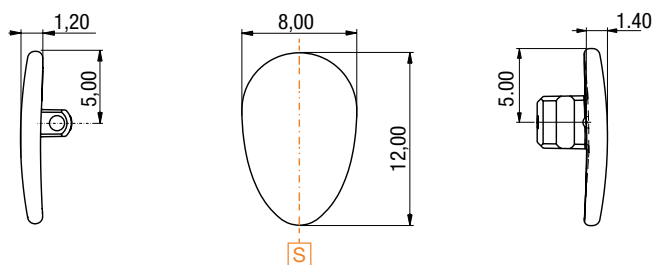
TEARDROP SHAPE

12mm

Slim Pad

Material: Soft MPM Crystal Cold

No insert



Neutral

SCREW SYSTEM 71NPC7948A1WYX

CLICK SYSTEM 71NPCD667A1WYX

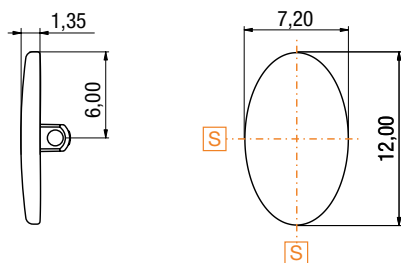
OVAL SHAPE

12mm

Slim Pad

Material: Soft MPM Crystal Cold

No insert



Neutral

SCREW SYSTEM 71NPC7950A1WYX

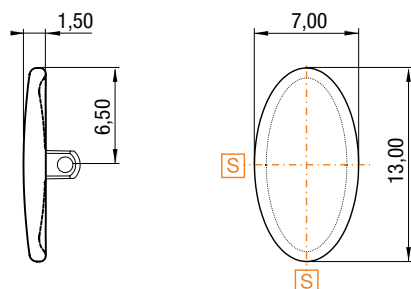
OVAL SHAPE

13mm

Slim Pad **MAXSOFT**

Material: Soft MPM Crystal Cold

No insert



Neutral

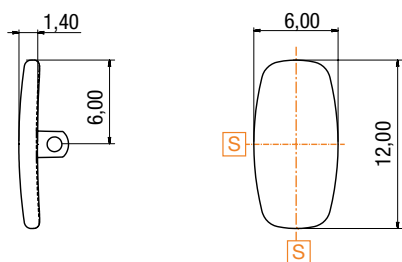
SCREW SYSTEM 71NPC7956A1WYX

MPM - MEDICAL PVC MATERIAL

Neutral No Insert

RECTANGULAR SHAPE 12mm

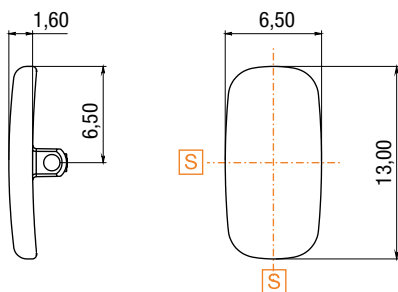
Slim Pad
Material: Soft MPM Crystal Cold
No insert



Neutral	
SCREW SYSTEM	71NPB7955A1WYX

RECTANGULAR SHAPE 13mm

Slim Pad
Material: Soft MPM Crystal Cold
No insert



Neutral	
SCREW SYSTEM	71NPCD668A1WYX

MPM - MEDICAL PVC MATERIAL

Neutral / Personalized plastic insert

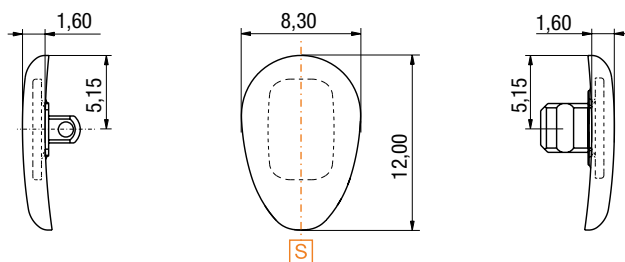
TEARDROP SHAPE

12mm

Slim Pad

Material: Soft MPM Crystal Cold

Insert: PC insert "C Shape"



Neutral

SCREW SYSTEM 71NPC7896A1WYX

CLICK SYSTEM 71NPC7897A1WYX

Personalized

SCREW SYSTEM C7896

CLICK SYSTEM C7897

Personalization on "C" insert (see pag.12-13)

- IP
- HS
- IPHS
- DHS
- HSE
- GPIE

Detailed offer on request

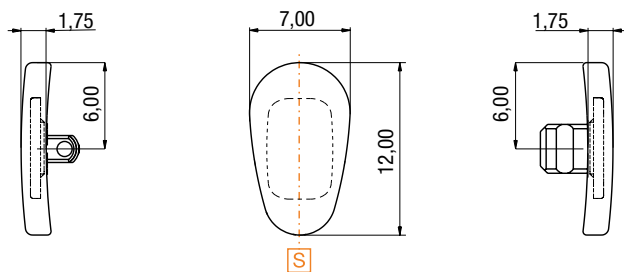
TEARDROP SHAPE

12mm

Regular Pad

Material: Soft MPM Crystal Cold

Insert: PC insert "C Shape"



Neutral

SCREW SYSTEM 71NPC7922A1WYX

CLICK SYSTEM 71NPC7923A1WYX

Personalized

SCREW SYSTEM C7922

CLICK SYSTEM C7923

Personalization on "C" insert (see pag.12-13)

- IP
- HS
- IPHS
- DHS
- HSE
- GPIE

Detailed offer on request

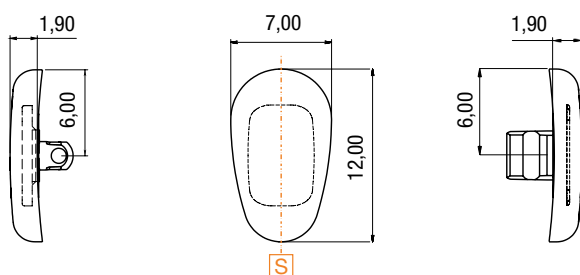
TEARDROP SHAPE

12mm

Regular Pad

Material: Soft MPM Crystal Cold

Insert: PC insert "C Shape"



Neutral

SCREW SYSTEM 71NPCD684A1WYX

CLICK SYSTEM 71NPC7924A1WYX

Personalized

SCREW SYSTEM CD684

CLICK SYSTEM C7924

Personalization on "C" insert (see pag.12-13)

- IP
- HS
- IPHS
- DHS
- HSE
- GPIE

Detailed offer on request

MPM - MEDICAL PVC MATERIAL

Neutral / Personalized plastic insert

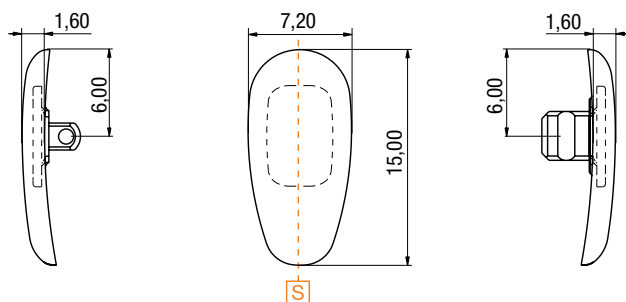
TEARDROP SHAPE

15mm

Slim Pad

Material: Soft MPM Crystal Cold

Insert: PC insert "C Shape"



Neutral

SCREW SYSTEM	71NPC7914A1WYX
CLICK SYSTEM	71NPC7913A1WYX

Personalized

SCREW SYSTEM	C7914
CLICK SYSTEM	C7913

Personalization on "C" insert (see pag.12-13)	IP HS IPHS DHS HSE GPIE
---	--

Detailed offer on request

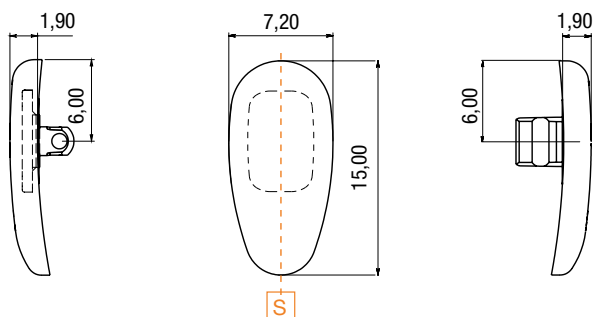
TEARDROP SHAPE

15mm

Regular Pad

Material: Soft MPM Crystal Cold

Insert: PC insert "C Shape"



Neutral

SCREW SYSTEM	71NPCD685A1WYX
CLICK SYSTEM	71NPC7925A1WYX

Personalized

SCREW SYSTEM	CD685
CLICK SYSTEM	C7925

Personalization on "C" insert (see pag.12-13)	IP HS IPHS DHS HSE GPIE
---	--

Detailed offer on request

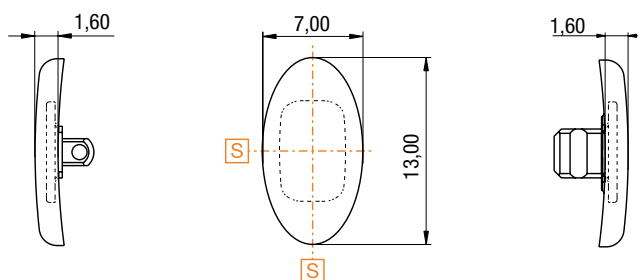
OVAL SHAPE

13mm

Slim Pad

Material: Soft MPM Crystal Cold

Insert: PC insert "C Shape"



Neutral

SCREW SYSTEM	71NPC7901A1WYX
CLICK SYSTEM	71NPC7902A1WYX

Personalized

SCREW SYSTEM	C7901
CLICK SYSTEM	C7902

Personalization on "C" insert (see pag.12-13)	IP HS IPHS DHS HSE GPIE
---	--

Detailed offer on request

MPM - MEDICAL PVC MATERIAL

Neutral / Personalized plastic insert

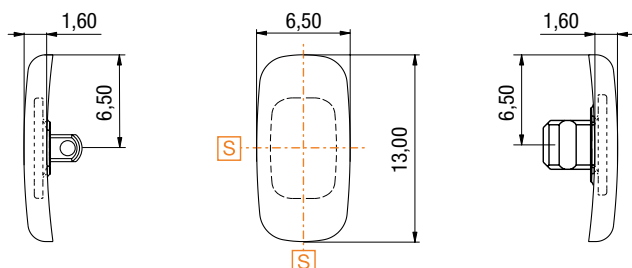
RECTANGULAR SHAPE

13mm

Slim Pad

Material: Soft MPM Crystal Cold

Insert: PC insert "C Shape"



Neutral

SCREW SYSTEM	71NPC7900A1WYX
CLICK SYSTEM	71NPC7899A1WYX

Personalized

SCREW SYSTEM	C7900
CLICK SYSTEM	C7899

Personalization on "C" insert (see pag.12-13)	IP HS IPHS DHS HSE GPIE
---	--

Detailed offer on request

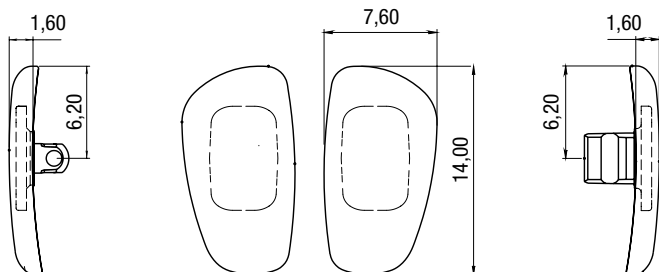
"D" SHAPE

14mm

Slim Pad

Material: Soft MPM Crystal Cold

Insert: PC insert "C Shape"



Neutral

SCREW SYSTEM	71NPCD687A1WY0
CLICK SYSTEM	71NPCD897A1WY0

Personalized

SCREW SYSTEM	CD687
CLICK SYSTEM	CD897

Personalization on "C" insert (see pag.12-13)	IP HS IPHS DHS HSE GPIE
---	--

Detailed offer on request

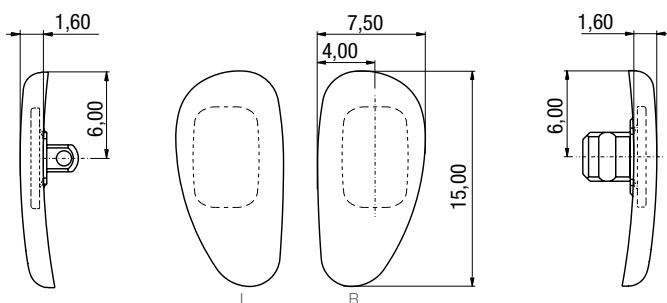
"D" SHAPE

15mm

Slim Pad

Material: Soft MPM Crystal Cold

Insert: PC insert "C Shape"



Neutral

SCREW SYSTEM	71NPC7916A1WY0
CLICK SYSTEM	71NPC7917AWY0

Personalized

SCREW SYSTEM	C7916
CLICK SYSTEM	C7917

Personalization on "C" insert (see pag.12-13)	IP HS IPHS DHS HSE GPIE
---	--

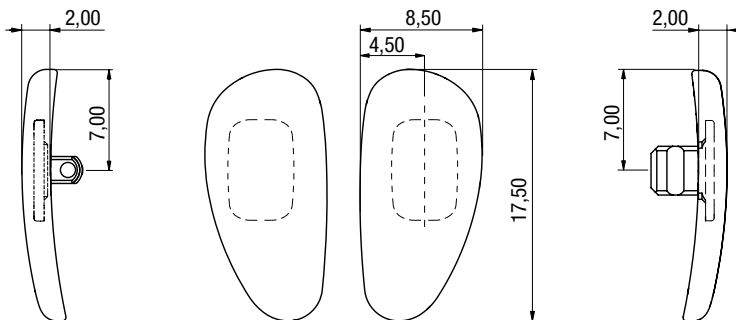
Detailed offer on request

MPM - MEDICAL PVC MATERIAL

Neutral / Personalized plastic insert

"D" SHAPE 17,5mm

Regular Pad
Material: Soft MPM Crystal Cold
Insert: PC insert "C Shape"

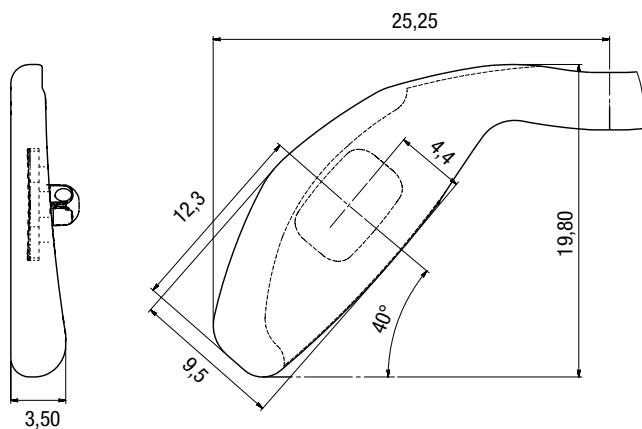


Neutral	
SCREW SYSTEM	71NPC7927A1WY0
CLICK SYSTEM	71NPC7928A1WY0
Personalized	
SCREW SYSTEM	C7927
CLICK SYSTEM	C7928
Personalization on "C" insert (see pag.12-13)	IP HS IPHS DHS HSE GPIE

Deatilled offer on request

TWIN PAD 19,80mm

Regular Pad
Material: Soft MPM Crystal Cold
Insert: PC insert "C Shape"



Neutral	
SCREW SYSTEM	71NPC7931A1WYX
Personalized	
SCREW SYSTEM	C7931
Personalization on "C" insert (see pag.12-13)	IP HS IPHS DHS HSE GPIE

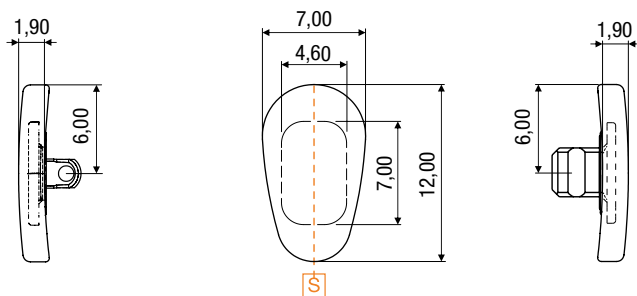
Deatilled offer on request

MEM - MEDICAL EXCLUSIVE MATERIAL

Neutral / Personalized plastic insert

TEARDROP SHAPE 12mm

Regular Pad
Material: Soft MEM Crystal Warm
Insert: PC insert "C Shape"



Neutral	
SCREW SYSTEM	81NPC6298A1WYX
CLICK SYSTEM	81NPC6299A1WYX

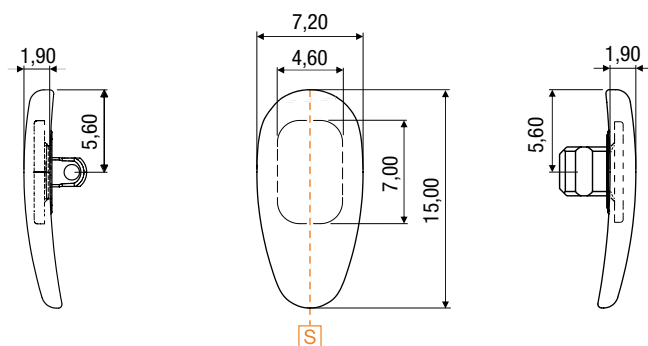
Personalized	
SCREW SYSTEM	C6298
CLICK SYSTEM	C6299

Personalization on "C" insert (see pag.12-13)	IP Positive HS Positive HSE Relief GPIE Screw
---	--

Detailed offer on request

TEARDROP SHAPE 15mm

Regular Pad
Material: Soft MEM Crystal Warm
Insert: PC insert "C Shape"



Neutral	
SCREW SYSTEM	81NPC6304A1WYX
CLICK SYSTEM	81NPC6305A1WYX

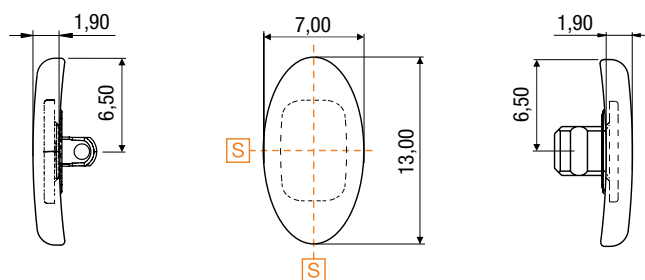
Personalized	
SCREW SYSTEM	C6304
CLICK SYSTEM	C6305

Personalization on "C" insert (see pag.12-13)	IP Positive HS Positive HSE Relief GPIE Screw
---	--

Detailed offer on request

OVAL SHAPE 13mm

Regular Pad
Material: Soft MEM Crystal Warm
Insert: PC insert "C Shape"



Neutral	
SCREW SYSTEM	81NPC6302A1WYX
CLICK SYSTEM	81NPC6303A1WYX

Personalized	
SCREW SYSTEM	C6302
CLICK SYSTEM	C6303

Personalization on "C" insert (see pag.12-13)	IP Positive HS Positive HSE Relief GPIE Screw
---	--

Detailed offer on request

MEM - MEDICAL EXCLUSIVE MATERIAL

Neutral / Personalized plastic insert

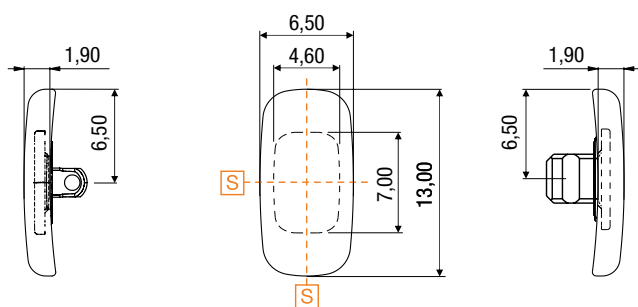
RECTANGULAR SHAPE

13mm

Regular Pad

Material: Soft MEM Crystal Warm

Insert: PC insert "C Shape"



Neutral

SCREW SYSTEM	81NPC6300A1WYX
CLICK SYSTEM	81NPC6301A1WYX

Personalized

SCREW SYSTEM	C6300
CLICK SYSTEM	C6301

Personalization on "C" insert (see pag.12-13)	IP Positive HS Positive HSE Relief GPIE Screw
---	--

Detailed offer on request

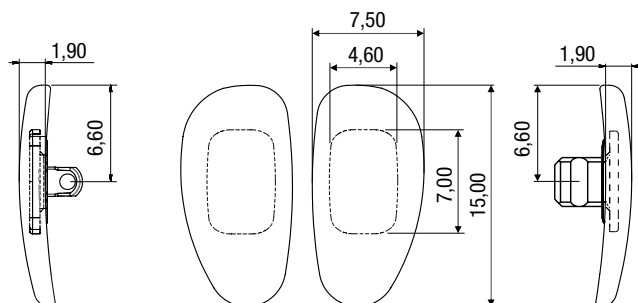
"D" SHAPE

15mm

Regular Pad

Material: Soft MEM Crystal Warm

Insert: PC insert "C Shape"



Neutral

SCREW SYSTEM	81NPC6306A1WY0
CLICK SYSTEM	81NPC6307A1WY0

Personalized

SCREW SYSTEM	C6306
CLICK SYSTEM	C6307

Personalization on "C" insert (see pag.12-13)	IP Positive HS Positive HSE Relief GPIE Screw
---	--

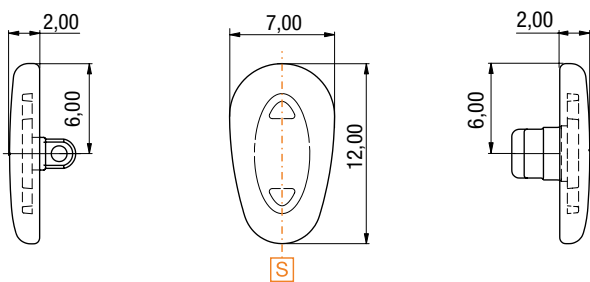
Detailed offer on request

MSM® - MEDICAL SILICON MATERIAL

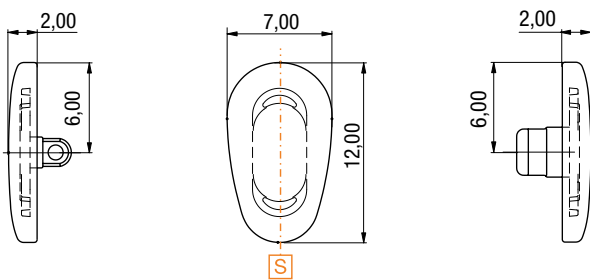
Neutral / Personalized plastic insert

TEARDROP SHAPE 12mm

Regular Pad
Material: Ultra Soft MSM Crystal Clear
Insert: PC insert



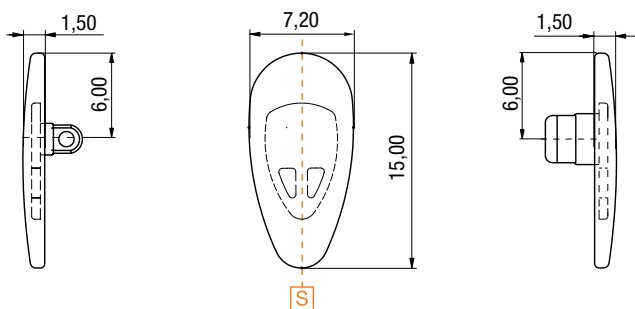
Neutral	
SCREW SYSTEM	73NPCE373A1WYX
CLICK SYSTEM	73NP93146000



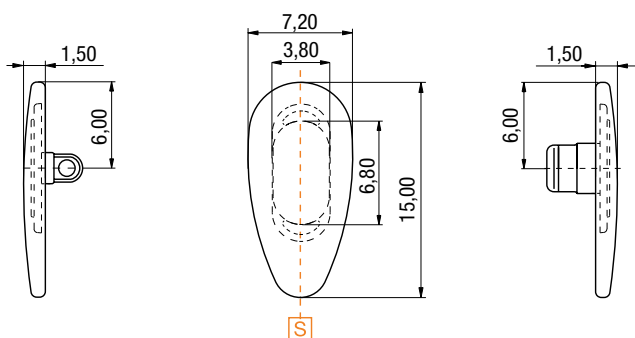
Personalized on PC insert "U Shape"	
SCREW SYSTEM	CE195
CLICK SYSTEM	CE196
Personalization on "U" insert (see pag.12-13)	IP HS IPHS DHS HSE
Detailed offer on request	

TEARDROP SHAPE 15mm

Slim Pad
Material: Ultra Soft MSM Crystal Clear
Insert: PC insert



Neutral	
SCREW SYSTEM	73NP93135000
CLICK SYSTEM	73NP93136000



Personalized on PC insert "U Shape"	
SCREW SYSTEM	CE193
CLICK SYSTEM	CE194
Personalization on "U" insert (see pag.12-13)	IP HS IPHS DHS HSE
Detailed offer on request	

MSM® - MEDICAL SILICON MATERIAL

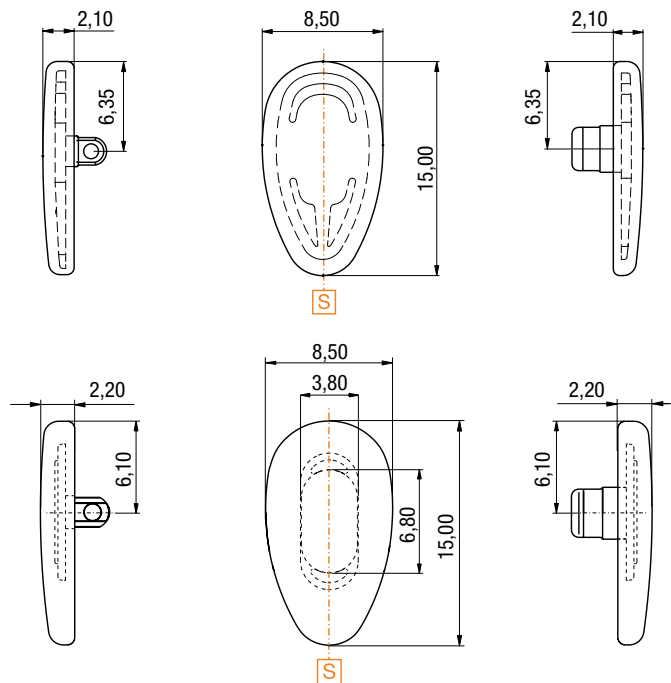
Neutral / Personalized plastic insert

TEARDROP SHAPE 15mm

Regular Pad

Material: Ultra Soft MSM Crystal Clear

Insert: PC insert



Neutral	
SCREW SYSTEM	73NP91545000
CLICK SYSTEM	73NP90552000

Personalized on PC insert "U Shape"	
SCREW SYSTEM	CE201
CLICK SYSTEM	CE202
Personalization on "U" insert (see pag.12-13)	IP HS IPHS DHS HSE

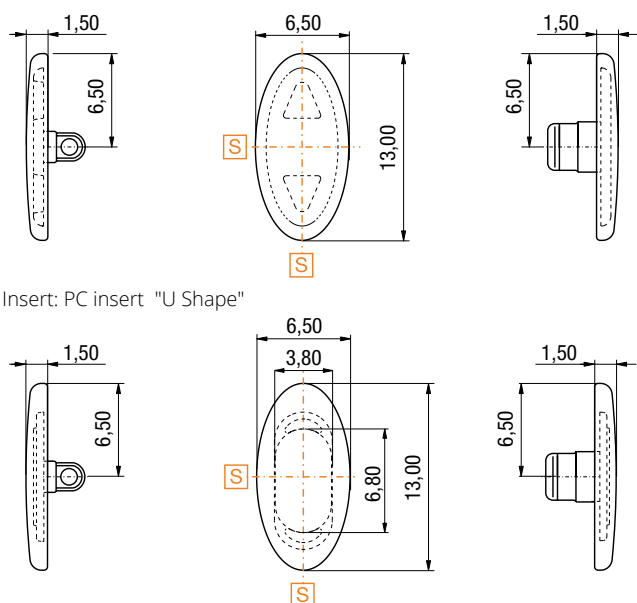
Detailed offer on request

OVAL SHAPE 13mm

Slim Pad

Material: Ultra Soft MSM Crystal Clear

Insert: PC insert



Insert: PC insert "U Shape"

Neutral	
SCREW SYSTEM	73NP93013000
CLICK SYSTEM	73NP93012000

Personalized on PC insert "U Shape"	
SCREW SYSTEM	CE191
CLICK SYSTEM	CE192
Personalization on "U" insert (see pag.12-13)	IP HS IPHS DHS HSE

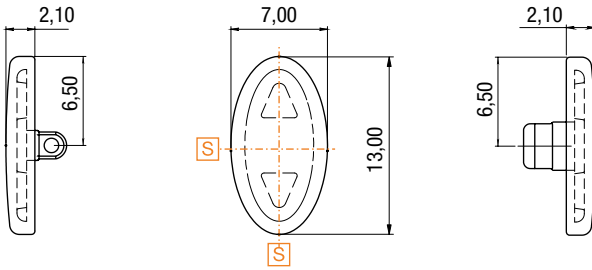
Detailed offer on request

MSM® - MEDICAL SILICON MATERIAL

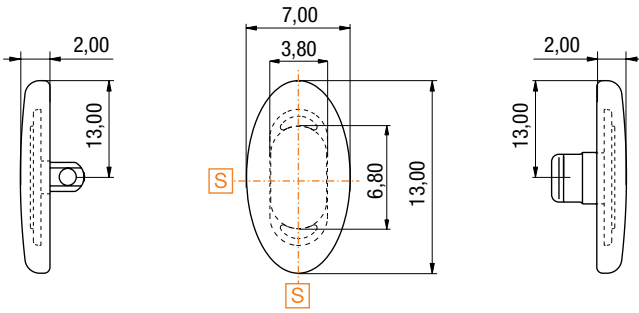
Neutral / Personalized plastic insert

OVAL SHAPE 13mm

Regular Pad
Material: Ultra Soft MSM Crystal Clear
Insert: PC insert



Neutral	
SCREW SYSTEM	73NP90612000
CLICK SYSTEM	73NP90669000

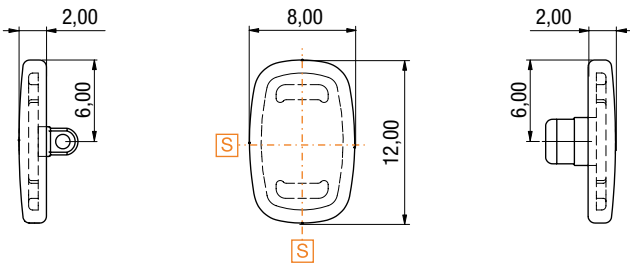


Personalized on PC insert "U Shape"	
SCREW SYSTEM	CE199
CLICK SYSTEM	CE200
Personalization on "U" insert (see pag.12-13)	IP HS IPHS DHS HSE

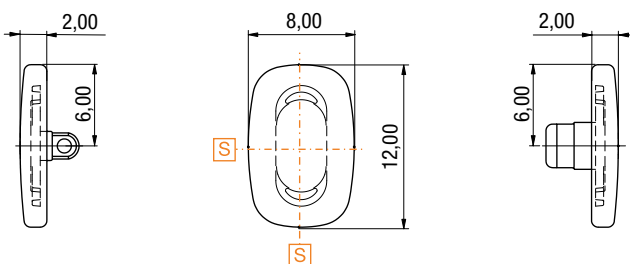
Detailed offer on request

RECTANGULAR SHAPE 12mm

Regular Pad
Material: Ultra Soft MSM Crystal Clear
Insert: PC insert



Neutral	
SCREW SYSTEM	73NP93007000
CLICK SYSTEM	73NP93006000



Personalized on PC insert "U Shape"	
SCREW SYSTEM	CE316
CLICK SYSTEM	C4438
Personalization on "U" insert (see pag.12-13)	IP HS IPHS DHS HSE

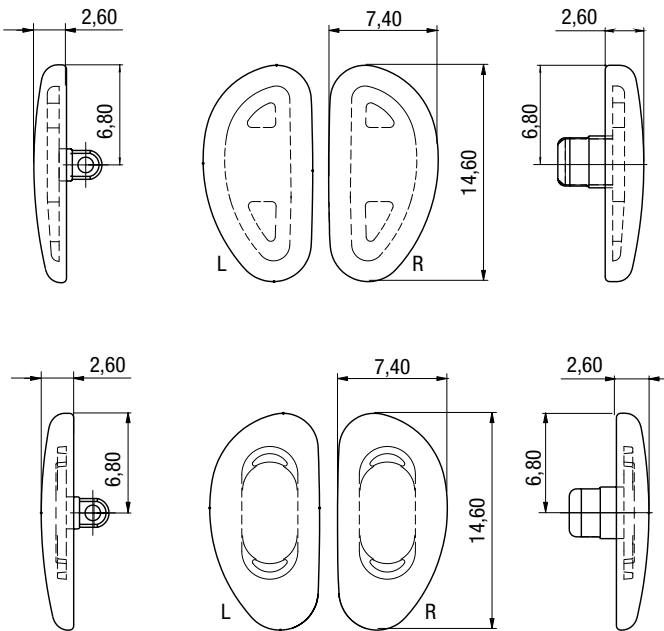
Detailed offer on request

MSM® - MEDICAL SILICON MATERIAL

Neutral / Personalized plastic insert

"D" SHAPE 14,60mm

Regular Pad
Material: Ultra Soft MSM Crystal Clear
Insert: PC insert



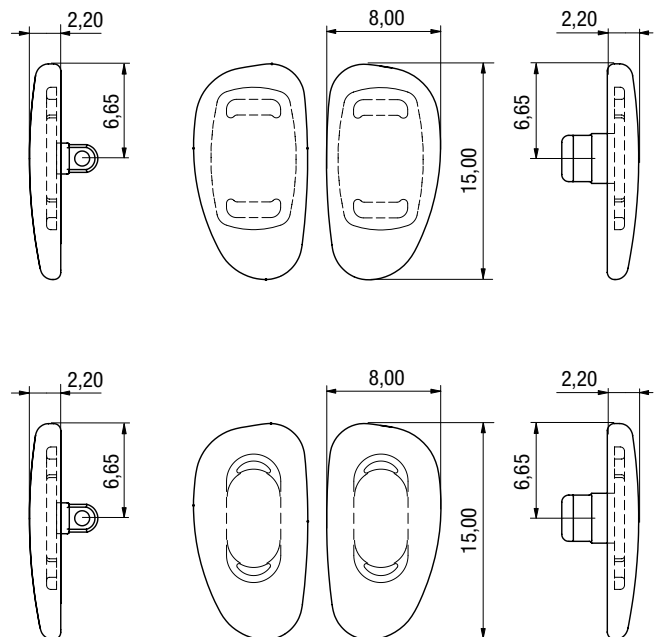
Neutral	
SCREW SYSTEM	73NP91555000
CLICK SYSTEM	73NP91548000

Personalized on PC insert "U Shape"	
SCREW SYSTEM	CE317
CLICK SYSTEM	CE318
Personalization on "U" insert (see pag.12-13)	IP HS IPHS DHS HSE

Detailed offer on request

"D" SHAPE 15mm

Regular Pad
Material: Ultra Soft MSM Crystal Clear
Insert: PC insert



Neutral	
SCREW SYSTEM	73NPC4545A1WY0
CLICK SYSTEM	73NPC4544A1WY0

Personalized on PC insert "U Shape"	
SCREW SYSTEM	CE319
CLICK SYSTEM	CE320
Personalization on "U" insert (see pag.12-13)	IP HS IPHS DHS HSE

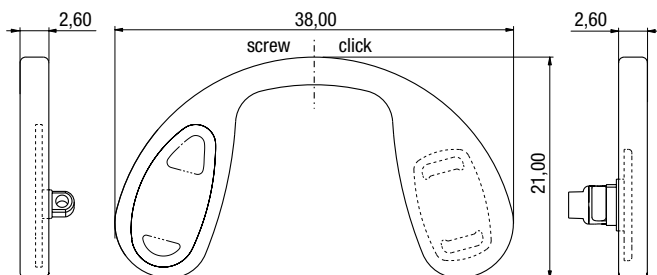
Detailed offer on request

MSM® - MEDICAL SILICON MATERIAL

Neutral plastic insert

TWIN PADS 21mm

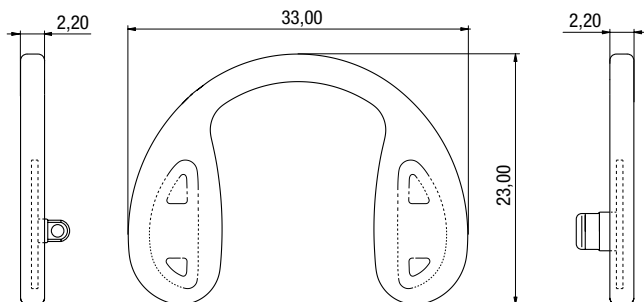
Regular Pad
Material: Ultra Soft MSM Crystal Clear
Insert: PC insert



Neutral	
SCREW SYSTEM	73NP93119000
CLICK SYSTEM	73NP93117000

TWIN PADS 23mm

Regular Pad
Material: Ultra Soft MSM Crystal Clear
Insert: PC insert



Neutral	
SCREW SYSTEM	73NP93128000
CLICK SYSTEM	73NP93129000

PAD ARMS SCREW AND CLICK SYSTEM

Pad-arms collections

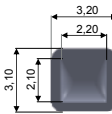
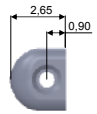
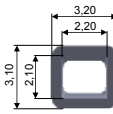
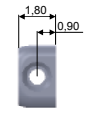
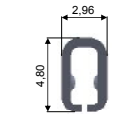
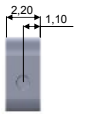
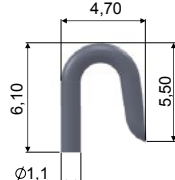
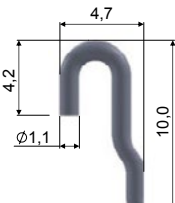
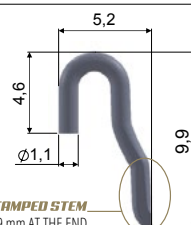
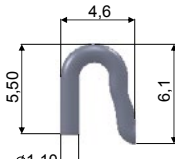
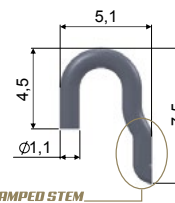
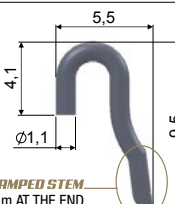


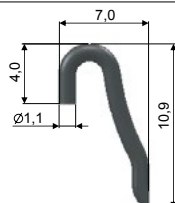


Features

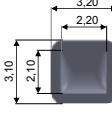
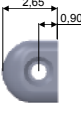
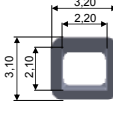
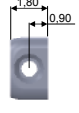
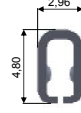
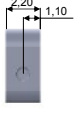
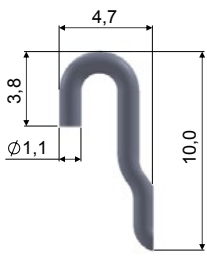
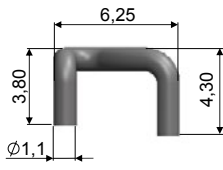
- High quality materials from reliable sources
- Certified processes to outperform the highest standards

SYNOPTIC INDEX

PAD ARMS SCREW AND CLICK SYSTEM

MATERIAL	STEM IMAGE	STEM CODE (STEM SHAPE)	SCREW System	normal box	SCREW System	mini box	CLICK System	normal buckle
								
NICKEL SILVER 18% Ni MATERIAL		OA7428 (207)			03PD91053000 (page 66)			
		OA7578 (214)	03PD90395000 (page 66)	03PD91051000 (page 66)	03PD90516000 (page 66)			
		ROA0121 (214)	03PD92097000 (page 67)					
		OA7559 (214)		03PD91229000 (page 67)				
		ROA0011 (214)		03PD93632000 (page 67)				
		ROA0022 (214)	03PD90520000 (page 67)		03PD90479000 (page 68)			
		OA7380 (310)	03PD90900000 (page 71)					
			03PD90505000 (page 68)		03PD90701000 (page 68)			
		OA7523 (225)				03PD91294000 (page 68)		

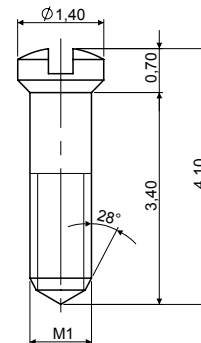
SYNOPTIC INDEX PAD ARMS SCREW AND CLICK SYSTEM

MATERIAL	STEM IMAGE	STEM CODE (STEM SHAPE)	SCREW System	normal box	SCREW System	mini box	CLICK System	normal buckle
								
TITANIUM MATERIAL		OA7579 (214)					31PD90584000 (page 70)	
		B0793 (310)					31PDB0794A1BY0 (page 70)	

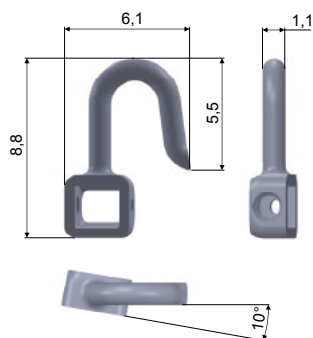
VISOTTICA SCREW

general information

Stainless Screw for pad arm
Code: 07VI11707A1BYX



S T A N D A R D P R O P O S A L



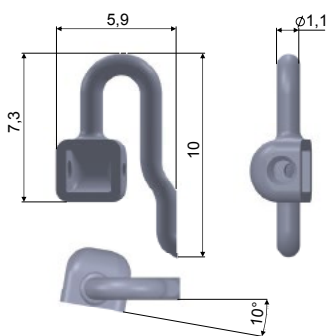
PAD ARM

SCREW SYSTEM	03PD91053000
---------------------	--------------

Stem code: OA7428
 Stem shape: 207
 Stem \varnothing 1.10
 Stem alloy Nickel Silver 18% Ni · CuNi18Zn20

MINIBOX

Minibox alloy Nickel Silver 18% Ni · CuNi18Zn20
 Slanted minibox 10°



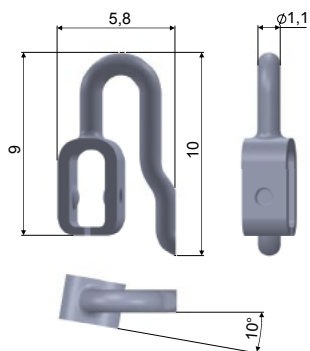
PAD ARM

SCREW SYSTEM	03PD90395000
---------------------	--------------

Stem code: OA7578
 Stem shape: 214
 Stem \varnothing 1.10
 Stem alloy Nickel Silver 18% Ni · CuNi18Zn20

NORMAL BOX

Box alloy Nickel Silver 18% Ni · CuNi18Zn20
 Slanted box 10°



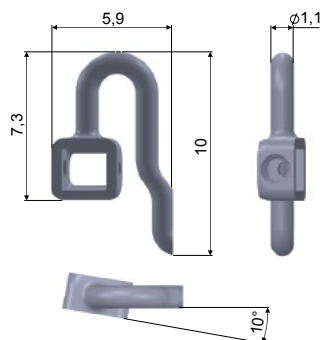
PAD ARM

CLICK SYSTEM	03PD90516000
---------------------	--------------

Stem code: OA7578
 Stem shape: 214
 Stem \varnothing 1.10
 Stem alloy Nickel Silver 18% Ni · CuNi18Zn20

NORMAL BUCKLE

Buckle alloy · CuNi9Sn6
 Buckle 10°



PAD ARM

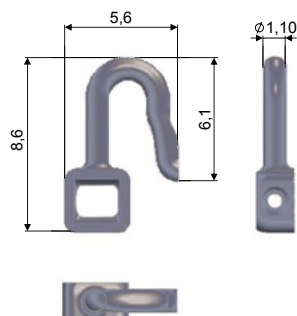
SCREW SYSTEM	03PD91051000
---------------------	--------------

Stem code: OA7578
 Stem shape: 214
 Stem \varnothing 1.10
 Stem alloy Nickel Silver 18% Ni · CuNi18Zn20

MINIBOX

Minibox alloy Nickel Silver 18% Ni · CuNi18Zn20
 Slanted minibox 10°

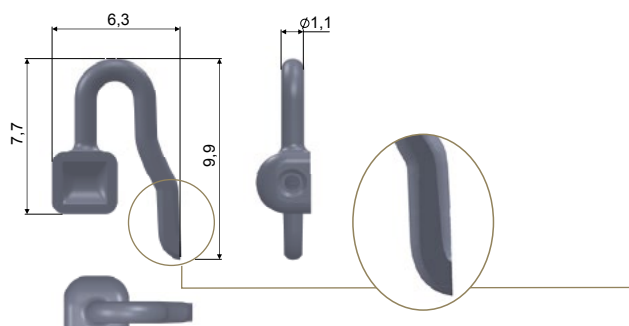
NICKEL SILVER 18% Ni MATERIAL



PAD ARM

SCREW SYSTEM	03PD91229000
---------------------	--------------

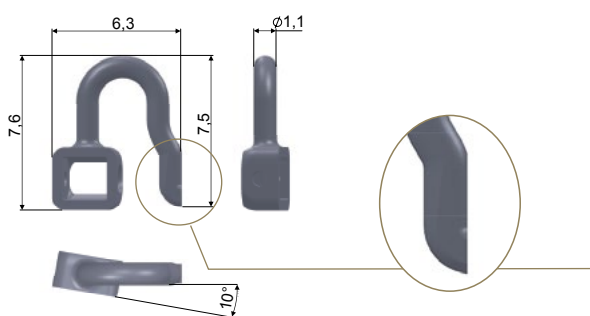
Stem code: OA7559
 Stem shape: 214
 Stem Ø 1.10
 Stem alloy Nickel Silver 18% Ni · CuNi18Zn20
MINIBOX
 Minibox alloy Nickel Silver 18% Ni · CuNi18Zn20



PAD ARM

SCREW SYSTEM	03PD92097000
---------------------	--------------

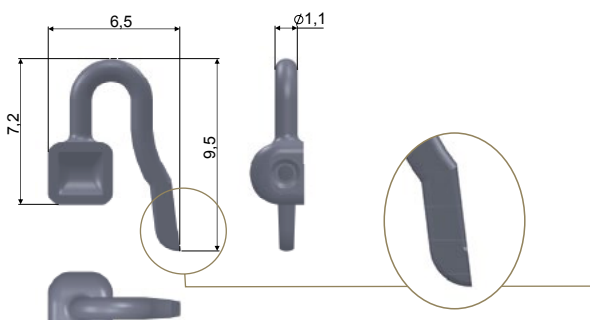
Stem code: ROA0121
 Stem shape: 214
 Stem Ø 1.10
 Stem alloy Nickel Silver 18% Ni · CuNi18Zn20
NORMAL BOX
 Box alloy Nickel Silver 18% Ni · CuNi18Zn20
STAMPED STEM 0.9 mm AT THE END



PAD ARM

SCREW SYSTEM	03PD93632000
---------------------	--------------

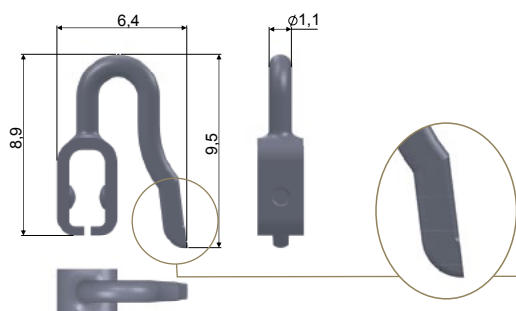
Stem code: ROA0011
 Stem shape: 214
 Stem Ø 1.10
 Stem alloy Nickel Silver 18% Ni · CuNi18Zn20
MINIBOX
 Box alloy Nickel Silver 18% Ni · CuNi18Zn20
 Slanted box 10°
STAMPED STEM 0.9 mm AT THE END



PAD ARM

SCREW SYSTEM	03PD90520000
---------------------	--------------

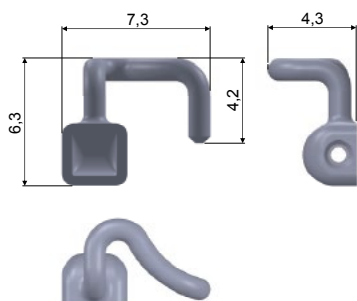
Stem code: ROA0022
 Stem shape: 214
 Stem Ø 1.10
 Stem alloy Nickel Silver 18% Ni · CuNi18Zn20
NORMAL BOX
 Box Alloy Nickel Silver 18% Ni · CuNi18Zn20
STAMPED STEM 0.7 mm AT THE END



PAD ARM

CLICK SYSTEM	03PD90479000
---------------------	--------------

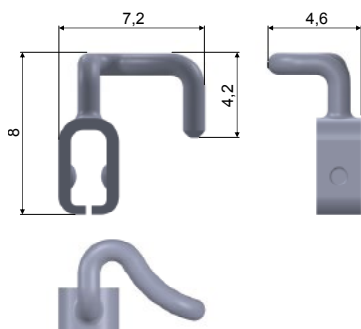
Stem code: ROA0022
 Stem shape: 214
 Stem ϕ 1.10
 Stem alloy Nickel Silver 18% Ni · CuNi18Zn20
NORMAL BUCKLE
 Buckle alloy · CuNi9Sn6
STAMPED STEM 0.7 mm AT THE END



PAD ARM

SCREW SYSTEM	03PD90505000
---------------------	--------------

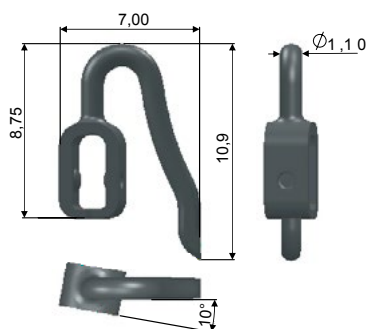
Stem code: OA7380
 Stem shape: 310
 Stem ϕ 1.10
 Stem alloy Nickel Silver 18% Ni · CuNi18Zn20
NORMAL BOX
 Box alloy Nickel Silver 18% Ni · CuNi18Zn20
 3D shape



PAD ARM

CLICK SYSTEM	03PD90701000
---------------------	--------------

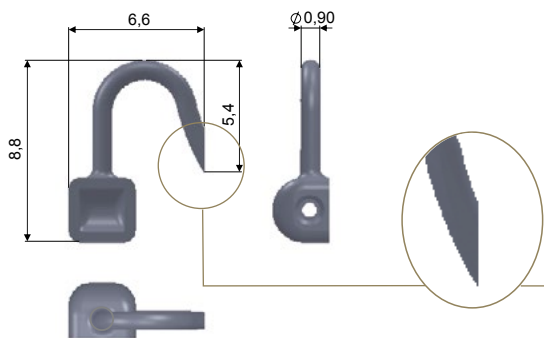
Stem code: OA7380
 Stem shape: 310
 Stem ϕ 1.10
 Stem alloy Nickel Silver 18% Ni · CuNi18Zn20
NORMAL BUCKLE
 Buckle alloy CuNi9Sn6
 3D shape



PAD ARM

CLICK SYSTEM	03PD91294000
---------------------	--------------

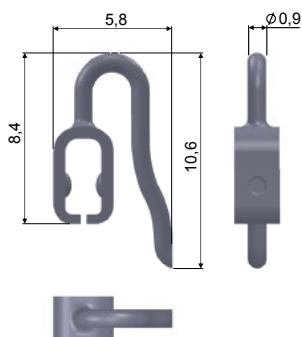
Stem code: OA7523
 Stem shape: 225
 Stem ϕ 1.10
 Stem alloy Nickel Silver 18% Ni · CuNi18Zn20
NORMAL BUCKLE
 Buckle alloy CuNi9Sn6
 Buckle 10°



PAD ARM

SCREW SYSTEM	18PD90530000
---------------------	--------------

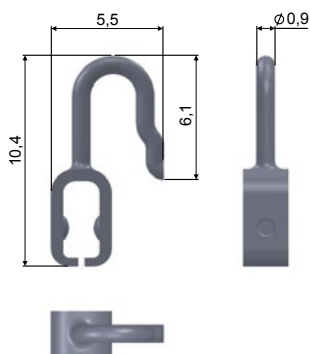
Stem code: OA7530
 Stem shape: 207
 Stem \varnothing 0.9
 Stem alloy Monel · NiCu30Fe
NORMAL BOX
 Box alloy Nickel Silver 18% Ni · CuNi18Zn20
STAMPED STEM 0.8 mm AT THE END



PAD ARM

CLICK SYSTEM	18PD90538000
---------------------	--------------

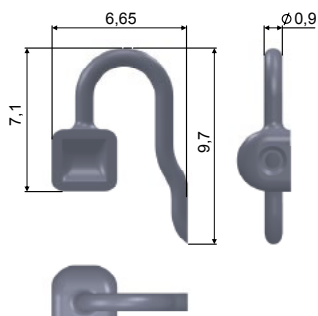
Stem code: OA7385
 Stem shape: 214
 Stem \varnothing 0.9
 Stem alloy Monel · NiCu30Fe
NORMAL BUCKLE
 Buckle alloy CuNi9Sn6



PAD ARM

CLICK SYSTEM	18PD91098000
---------------------	--------------

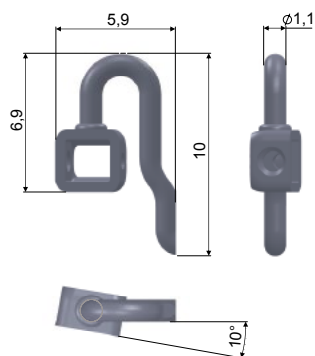
Stem code: OA7575
 Stem shape: 214
 Stem \varnothing 0.9
 Stem alloy Monel · NiCu30Fe
NORMAL BUCKLE
 Buckle alloy CuNi9Sn6



PAD ARM

SCREW SYSTEM	18PD90537000
---------------------	--------------

Stem code: OA7570
 Stem shape: 214
 Stem \varnothing 0.9
 Stem alloy Monel · NiCu30Fe
NORMAL BOX
 Box alloy Nickel Silver 18% Ni · CuNi18Zn20



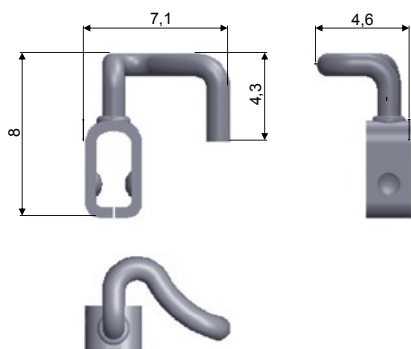
PAD ARM

SCREW SYSTEM	31PD90584000
---------------------	--------------

Stem code: OA7579
 Stem shape: 214
 Stem \varnothing 1.10
 Stem alloy Titanium

MINIBOX

Minibox alloy Titanium
 Slanted minibox 10°



PAD ARM

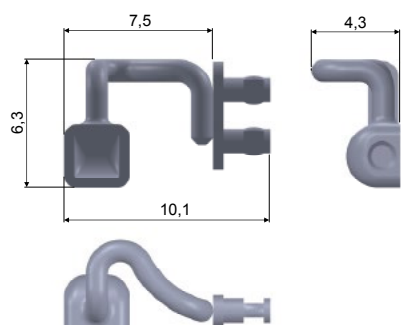
SCREW SYSTEM	31PDB0794A1BY0
---------------------	----------------

Stem code: B0793
 Stem shape: 310
 Stem \varnothing 1.10
 Stem alloy Titanium

NORMAL BOX

Box alloy Titanium

NICKEL SILVER 18% Ni MATERIAL for plastic frames



PAD ARM

SCREW SYSTEM	03PD90900000
---------------------	--------------

Stem code: OA7380
Stem shape: 310
Stem \varnothing 1.10
Stem alloy Nickel Silver 18% Ni · CuNi18Zn20

NORMAL BOX
Box alloy Nickel Silver 18% Ni · CuNi18Zn20
3D shape
FOR PLASTIC FRAMES

FEATURED PRODUCTS

Upon request

Features

- High quality materials from reliable sources
- Certified processes to outperform the highest standards



FEATURED PRODUCTS

Examples of customized products



EXAMPLE 1



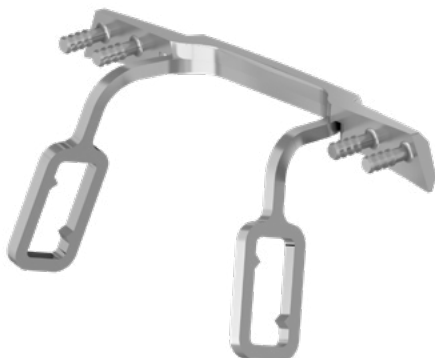
EXAMPLE 2



EXAMPLE 3



EXAMPLE 4



EXAMPLE 5



EXAMPLE 6

FEATURED PRODUCTS

Examples of customized products



EXAMPLE 7



EXAMPLE 8



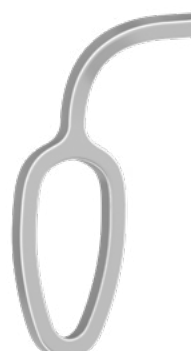
EXAMPLE 9



EXAMPLE 10



EXAMPLE 11



EXAMPLE 12

FOLLOW US ON YOUTUBE



www.visotticagroup.com



Visottica Industrie S.p.a.

Via Vecchia Trevigiana, 11
31058 Susegana
(Treviso), Italy
Tel +39 0438 6551
Fax +39 0438 450 855

O'Reilly Industrial Ltd.

Rm 302, Shui Hing Centre,
13 Sheung Yuet Road,
Kowloon Bay, Kowloon, Hong Kong
Tel +852 2796 6010
Fax +852 2796 4631

sales@visotticagroup.com

visotticagroup.com